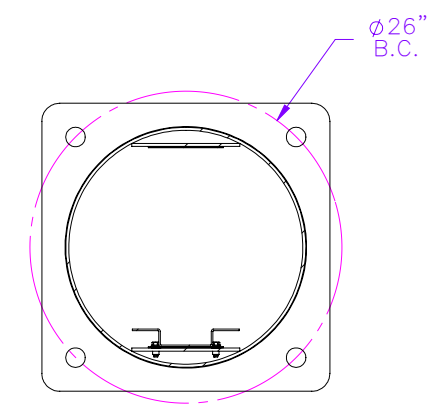
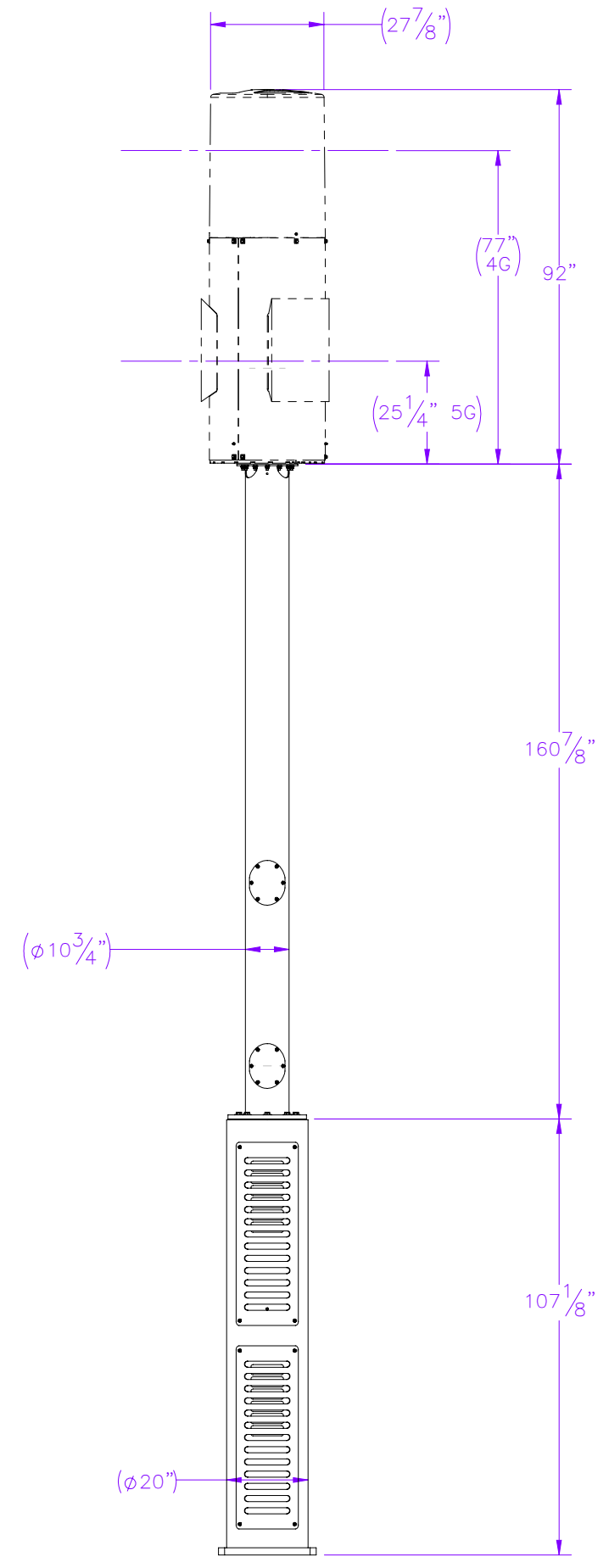
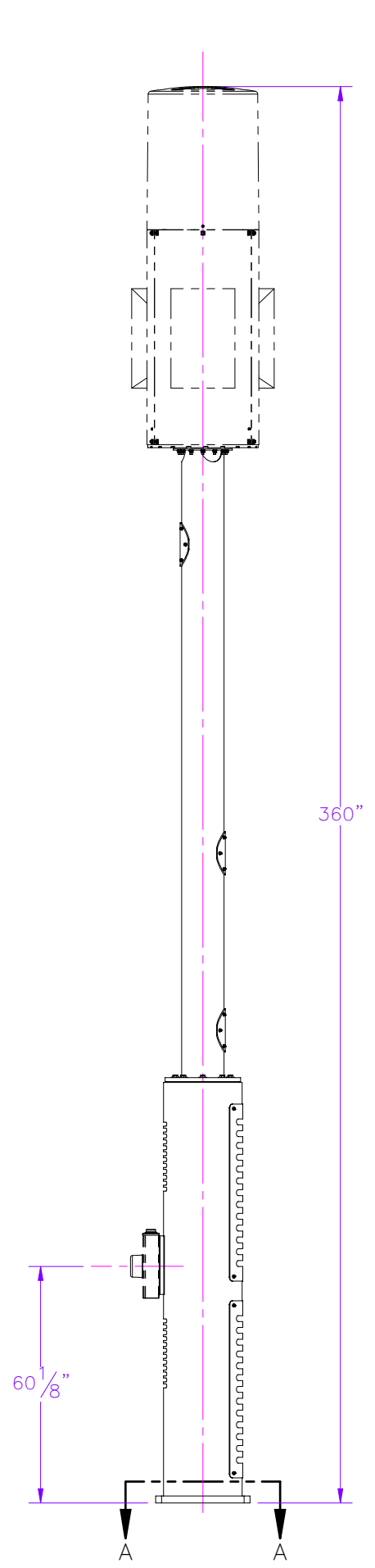
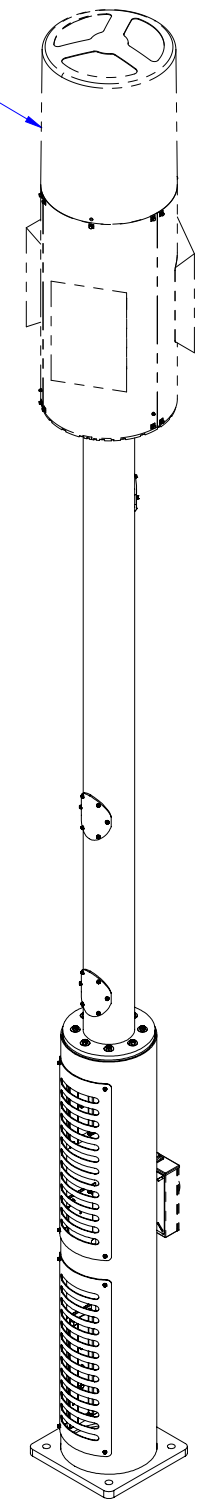




THE INFORMATION CONTAINED IN THIS DRAWING IS THE SOLE PROPERTY OF ELECTRO MECHANICAL INDUSTRIES, INC. ANY REPRODUCTION IN PART OR WHOLE WITHOUT THE WRITTEN PERMISSION OF ELECTRO MECHANICAL IND., IS PROHIBITED.



SECTION A-A
SCALE 1:16

CHARLES SHROUD
PN: SHRD5-9228RVUFN
PROVIDED BY OTHERS



SURFACE FINISH <input checked="" type="checkbox"/> UNLESS OTHERWISE SPECIFIED		UNLESS OTHERWISE SPECIFIED DIMENSIONS ARE IN INCHES		APPROVALS	DATE	 ELECTRO MECHANICAL INDUSTRIES, INC. 11230 NEESHAW DRIVE HOUSTON, TEXAS 77065 1-800-453-0050	
MATERIAL	SEE PARTS LIST	TOLERANCES		DRAWN	08.31.2020	TITLE: 30' MONOPOLE, 20" DIAMETER BASE SALES	
THIRD ANGLE PROJECTION		.0	± .06	CHECKED		SIZE	REV
		.00	± .015	ENGINEER/DISIGNER		B	5
		.000	± .005	PRODUCTION		DRAWING NO.	
		FRACTIONS	± 1/16			1002-0040-0041	
		ANGLES	± .25°			SCALE: 1:40	WEIGHT: 1225 lbs.
		HOLES:					SHEET 1 OF 1
NEXT ASSY	USED ON	DRILLED OR PUNCHED	+1/32				
APPLICATIONS		BURNED	± 1/32				