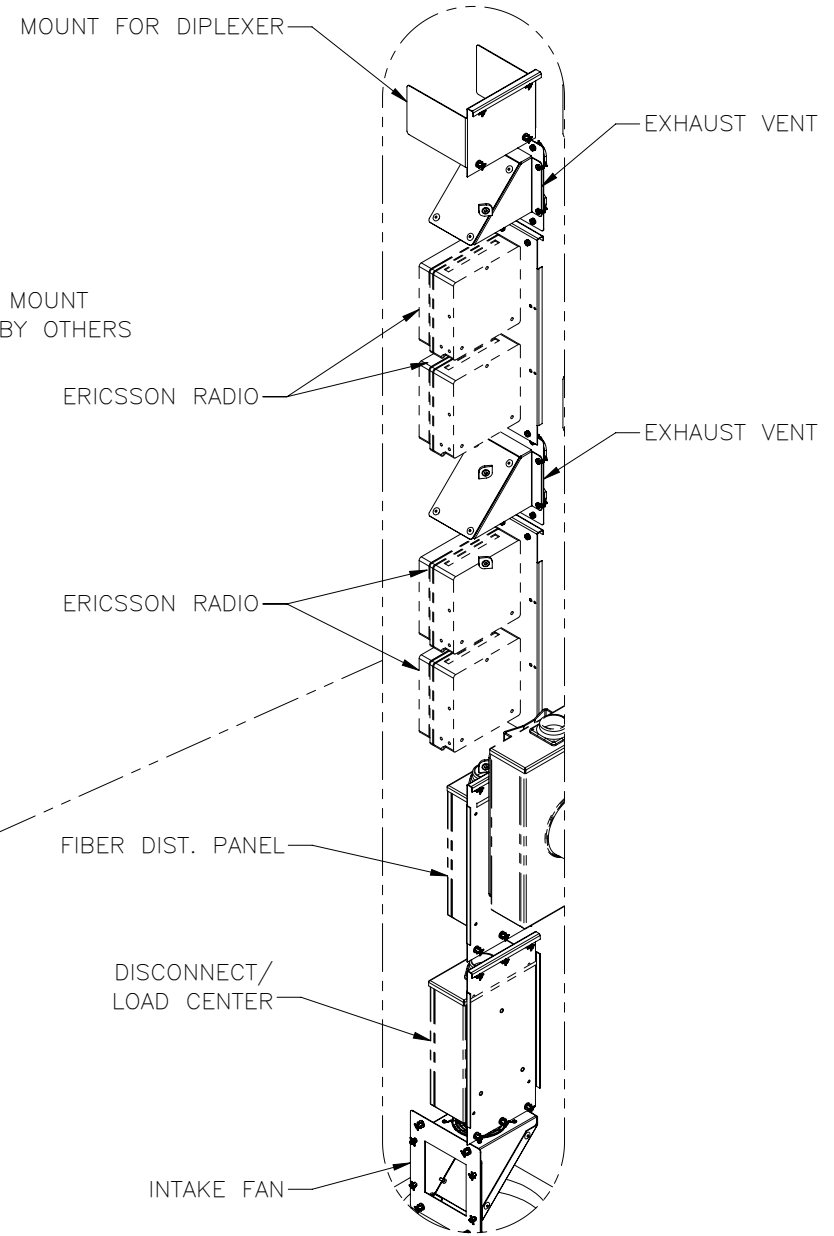
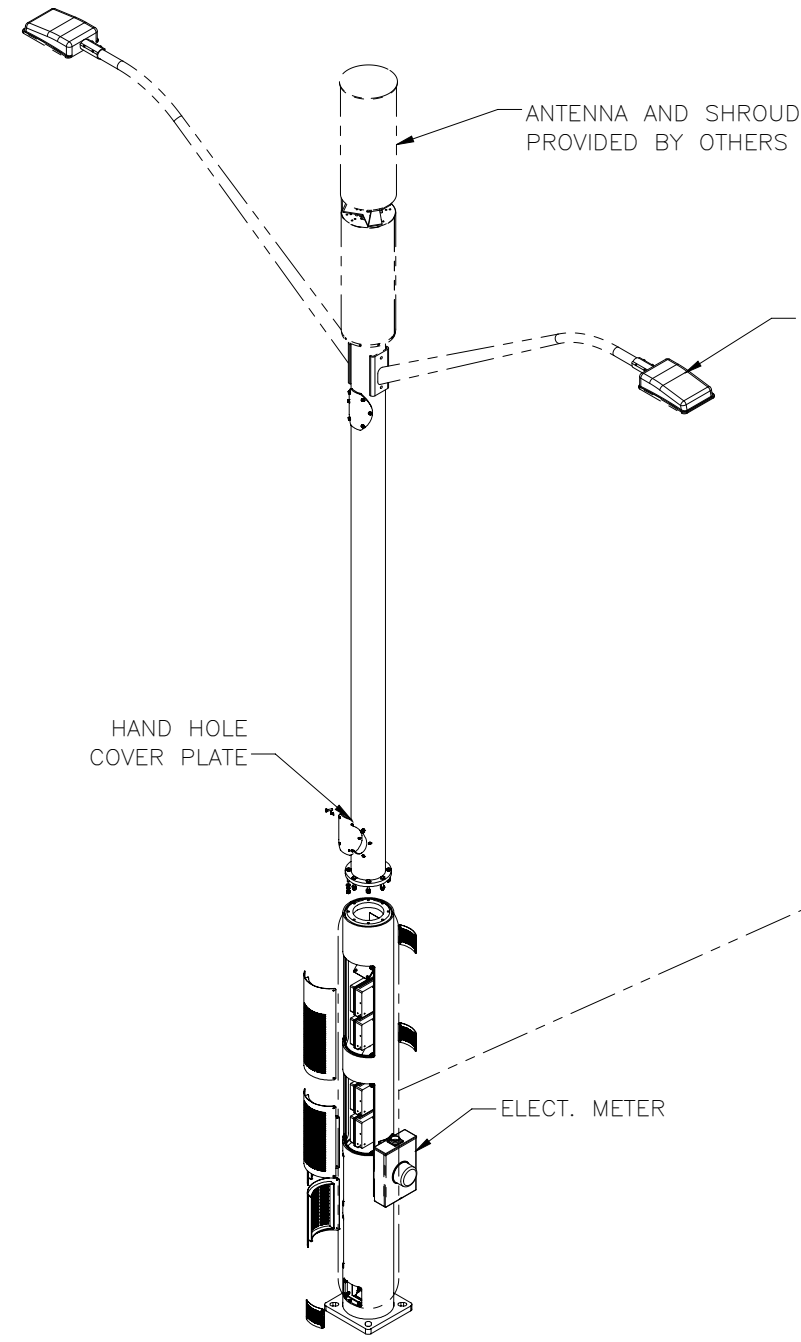
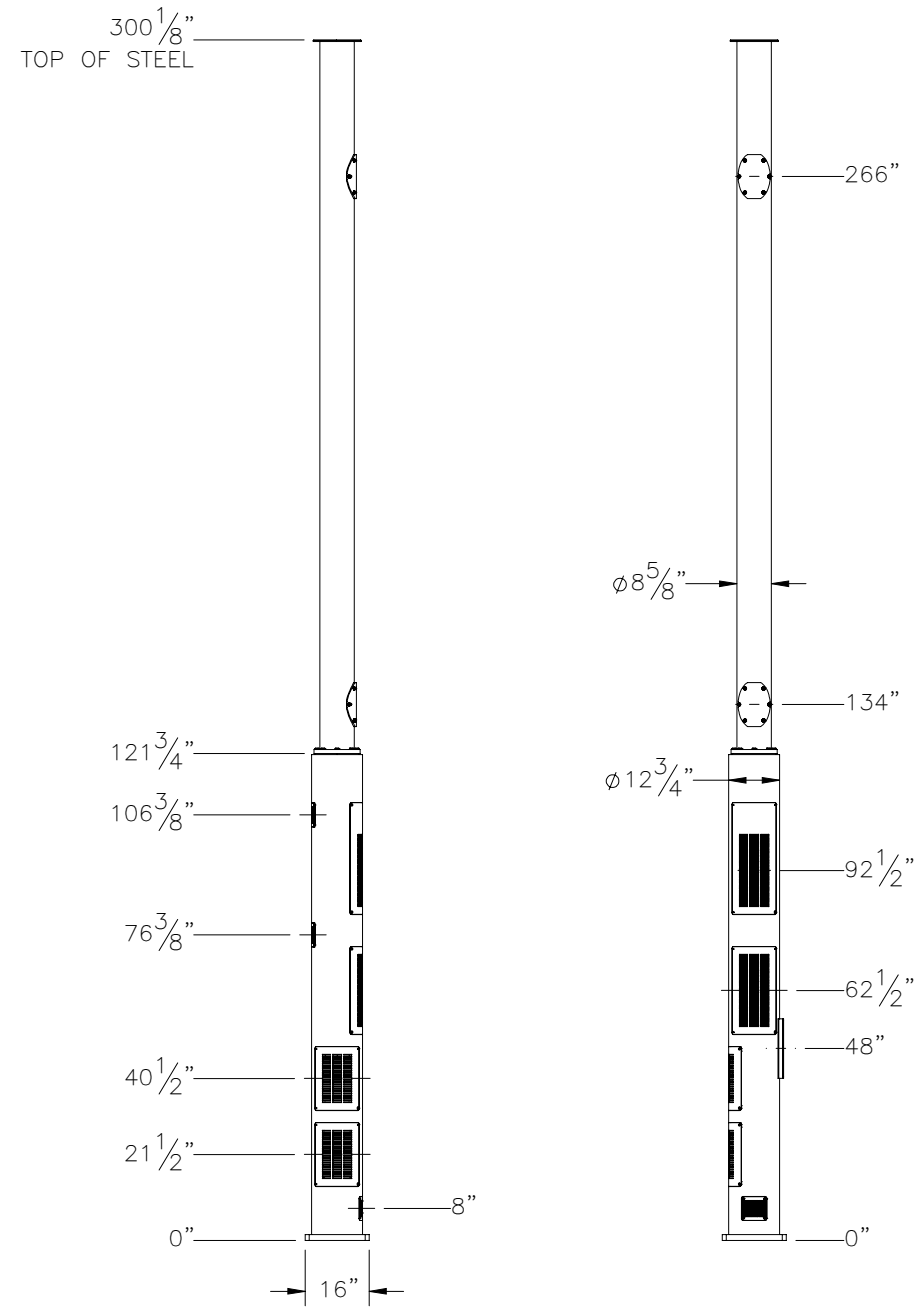

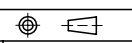


THE INFORMATION CONTAINED IN THIS DRAWING IS THE SOLE PROPERTY OF ELECTRO MECHANICAL INDUSTRIES, INC. ANY REPRODUCTION IN PART OR WHOLE WITHOUT THE WRITTEN PERMISSION OF ELECTRO MECHANICAL IND., IS PROHIBITED.

SALES DRAWING



ARRANGEMENT OF COMPONENTS SUPPLIED BY OTHERS

SURFACE FINISH <input checked="" type="checkbox"/> UNLESS OTHERWISE SPECIFIED		UNLESS OTHERWISE SPECIFIED DIMENSIONS ARE IN INCHES		APPROVALS	DATE	 ELECTRO MECHANICAL INDUSTRIES, INC. 11230 NEESESHAW DRIVE HOUSTON, TEXAS 77065 1-800-453-0050
MATERIAL	SEE PARTS LIST	TOLERANCES		DRAWN	8/13/2021	
THIRD ANGLE PROJECTION		.0	± .06	CHECKER	8/13/2021	TITLE: 12" DIAMETER CONCEALMENT MONOPOLE, 25' ELEVATION
		.00	± .015	ENGINEER	8/13/2021	
		.000	± .005	PRODUCTION	8/13/2021	
NEXT ASSY	USED ON	FRACTIONS	± 1/16			SIZE
		ANGLES	± .25°			DRAWING NO.
		HOLES:				1002-0040-0047
		DRILLED OR PUNCHED	+1/32			REV
		BURNED	±1/32			0
APPLICATIONS						SCALE: 1:48
						WEIGHT: 921.05 lbs.
						SHEET 1 OF 1