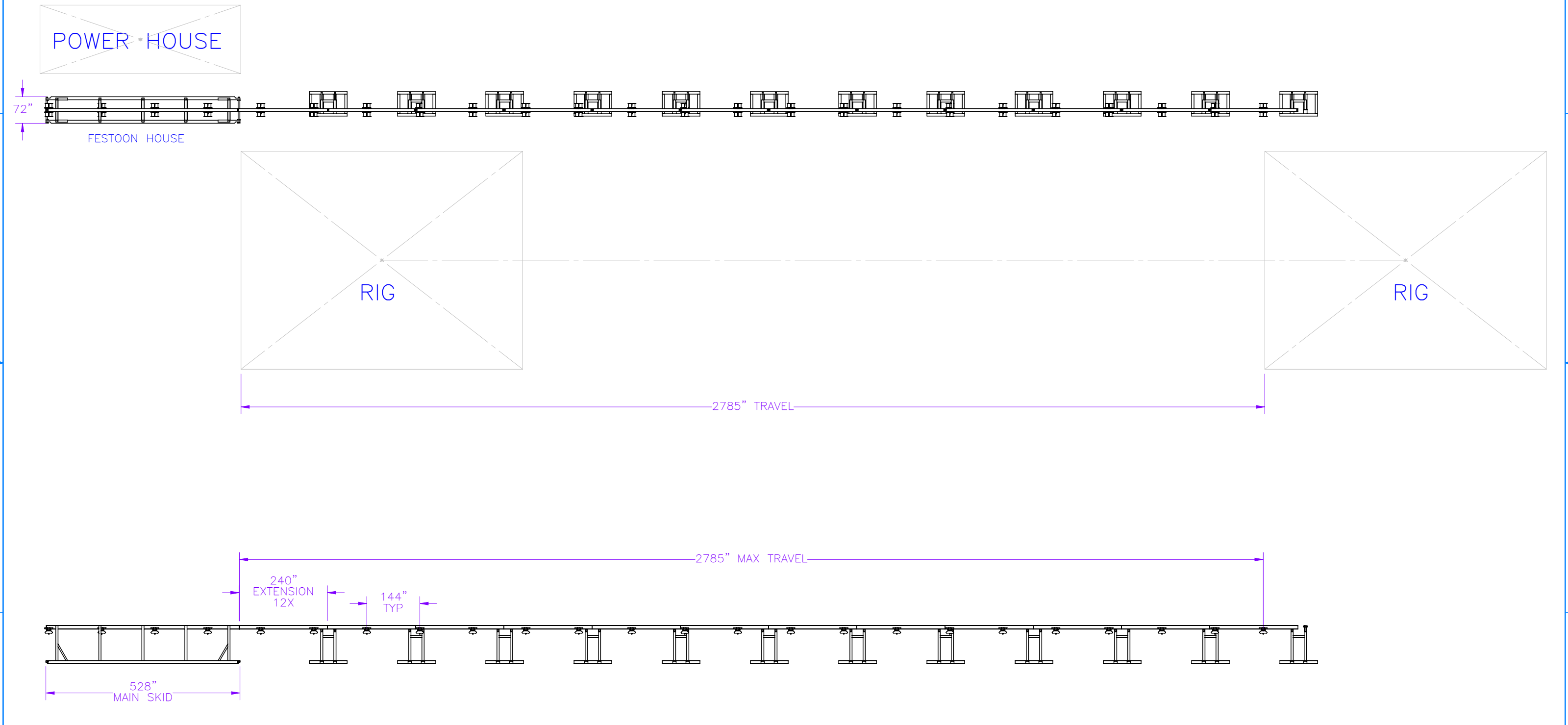


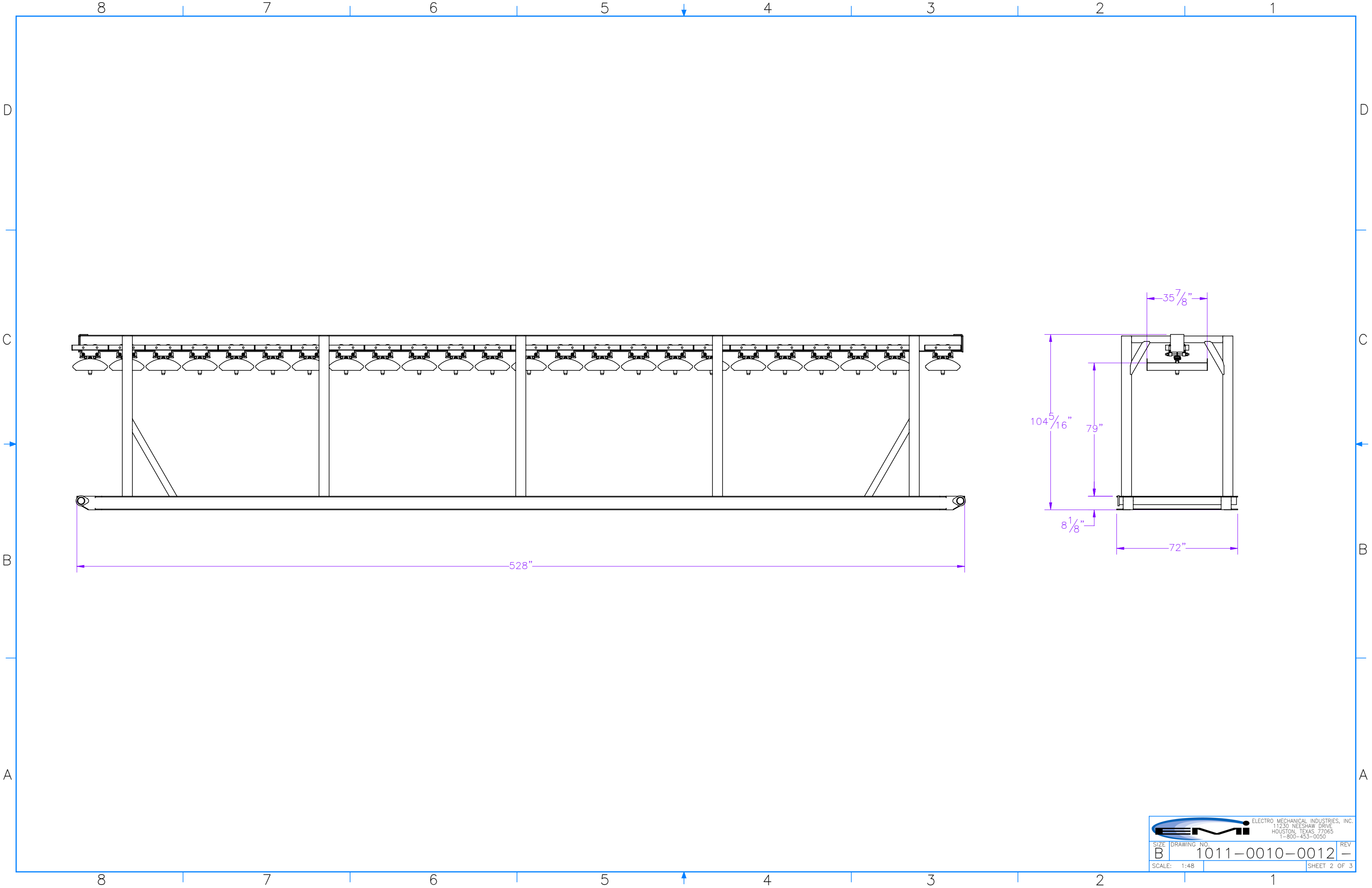
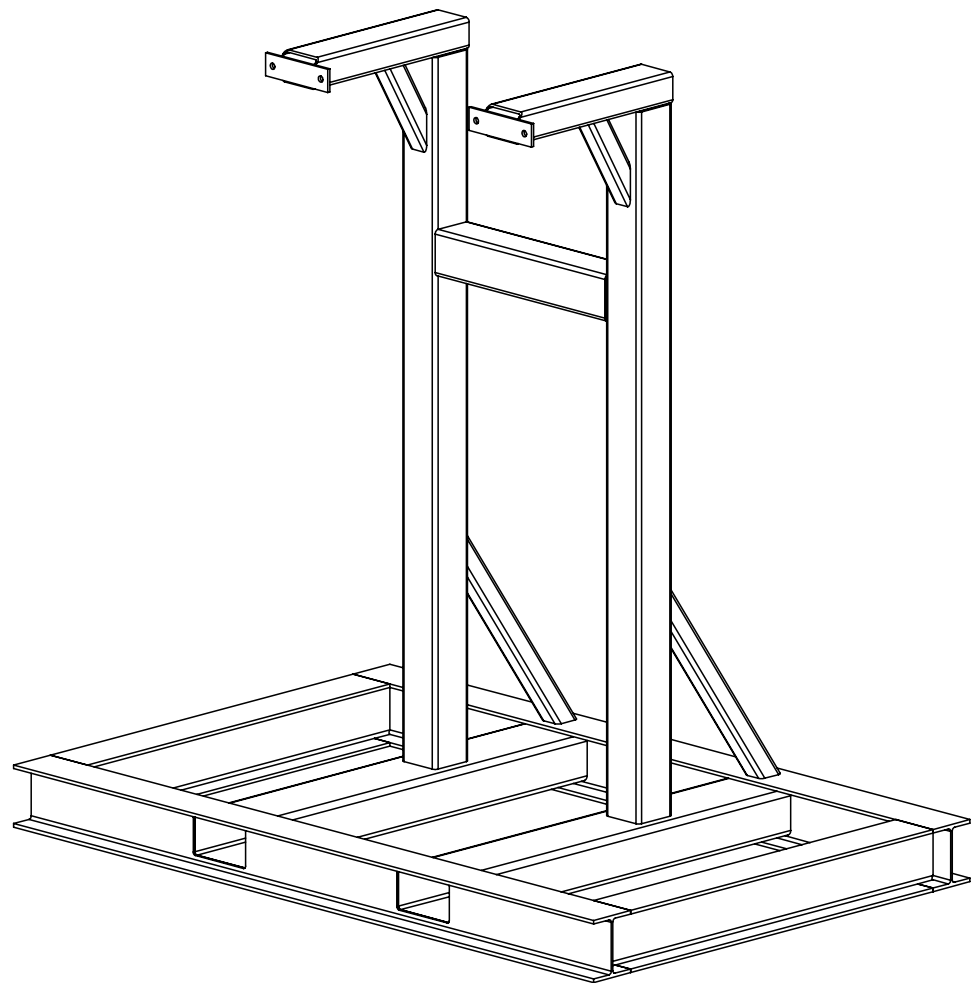


THE INFORMATION CONTAINED IN THIS DRAWING IS THE SOLE PROPERTY OF ELECTRO MECHANICAL INDUSTRIES, INC. ANY REPRODUCTION IN PART OR WHOLE WITHOUT THE WRITTEN PERMISSION OF ELECTRO MECHANICAL IND., IS PROHIBITED.



SURFACE FINISH <input checked="" type="checkbox"/> UNLESS OTHERWISE SPECIFIED		UNLESS OTHERWISE SPECIFIED DIMENSIONS ARE IN INCHES		APPROVALS	DATE	 ELECTRO MECHANICAL INDUSTRIES, INC. 11230 NEESEHAW DRIVE HOUSTON, TEXAS 77065 1-800-453-0050
MATERIAL SEE PARTS LIST		TOLERANCES		DRAWN		
THIRD ANGLE PROJECTION 		.0 ±.06 .00 ±.01 .000 ±.005		CHECKED		TITLE: <b>FESTOON SYSTEM 232' TRAVEL</b>
NEXT ASSY		FRACTIONS ± 1/16 ANGLES ± .25°		ENGINEER/DESIGNER		SIZE <b>B</b>
APPLICATIONS		HOLES: DRILLED OR PUNCHED +1/32 BURNED ±1/32		PRODUCTION		DRAWING NO. <b>1011-0010-0012</b>
						SCALE: 1:256 WEIGHT: 37170.0 lbs. SHEET 1 OF 3





EXTENSION STAND