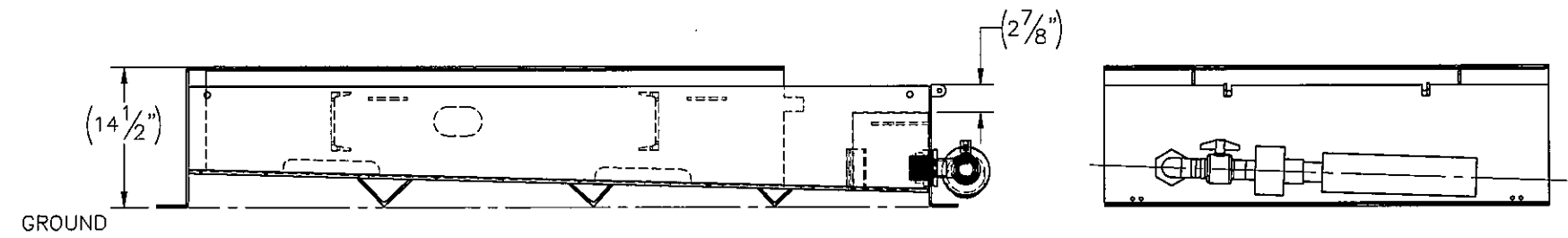
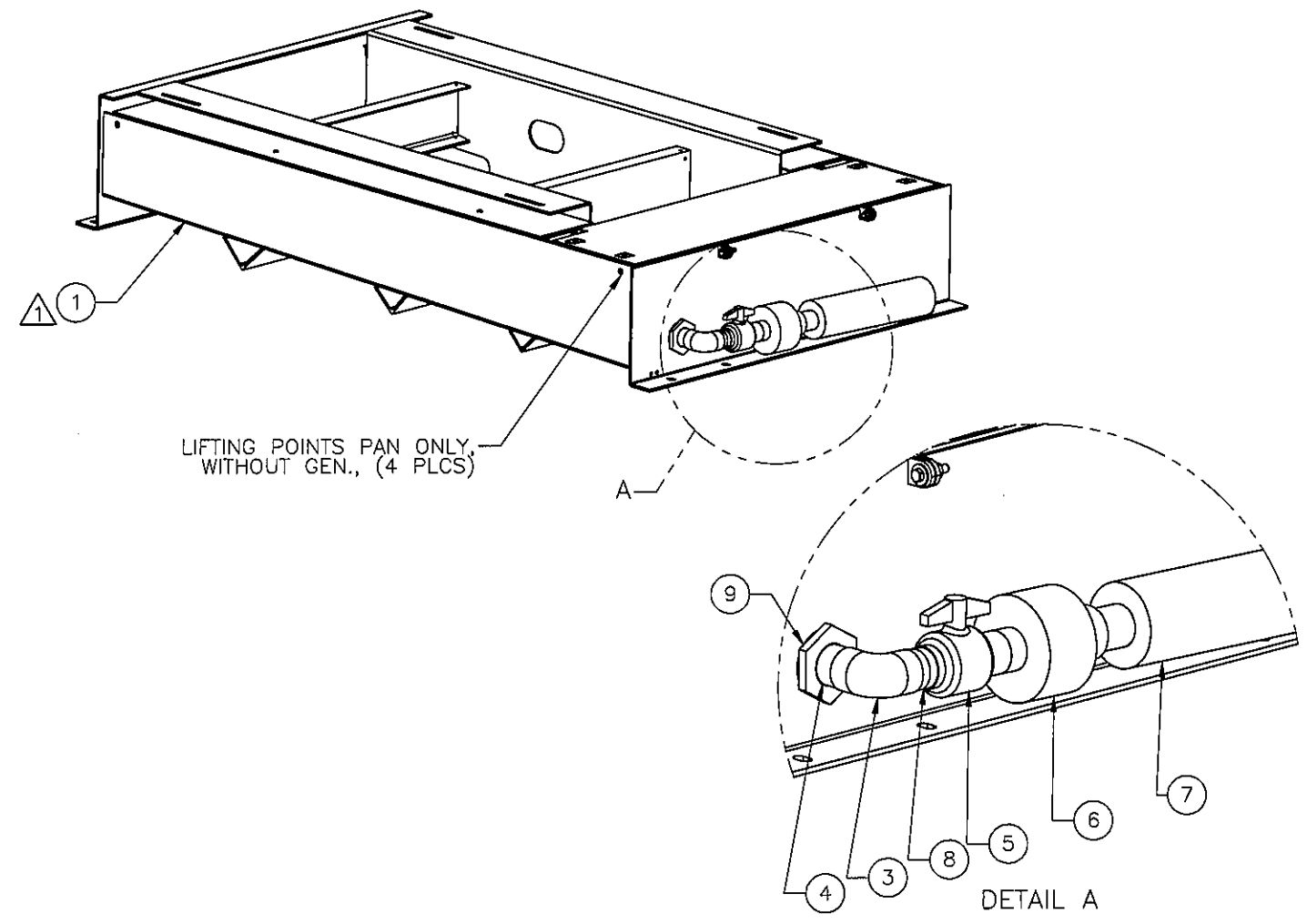
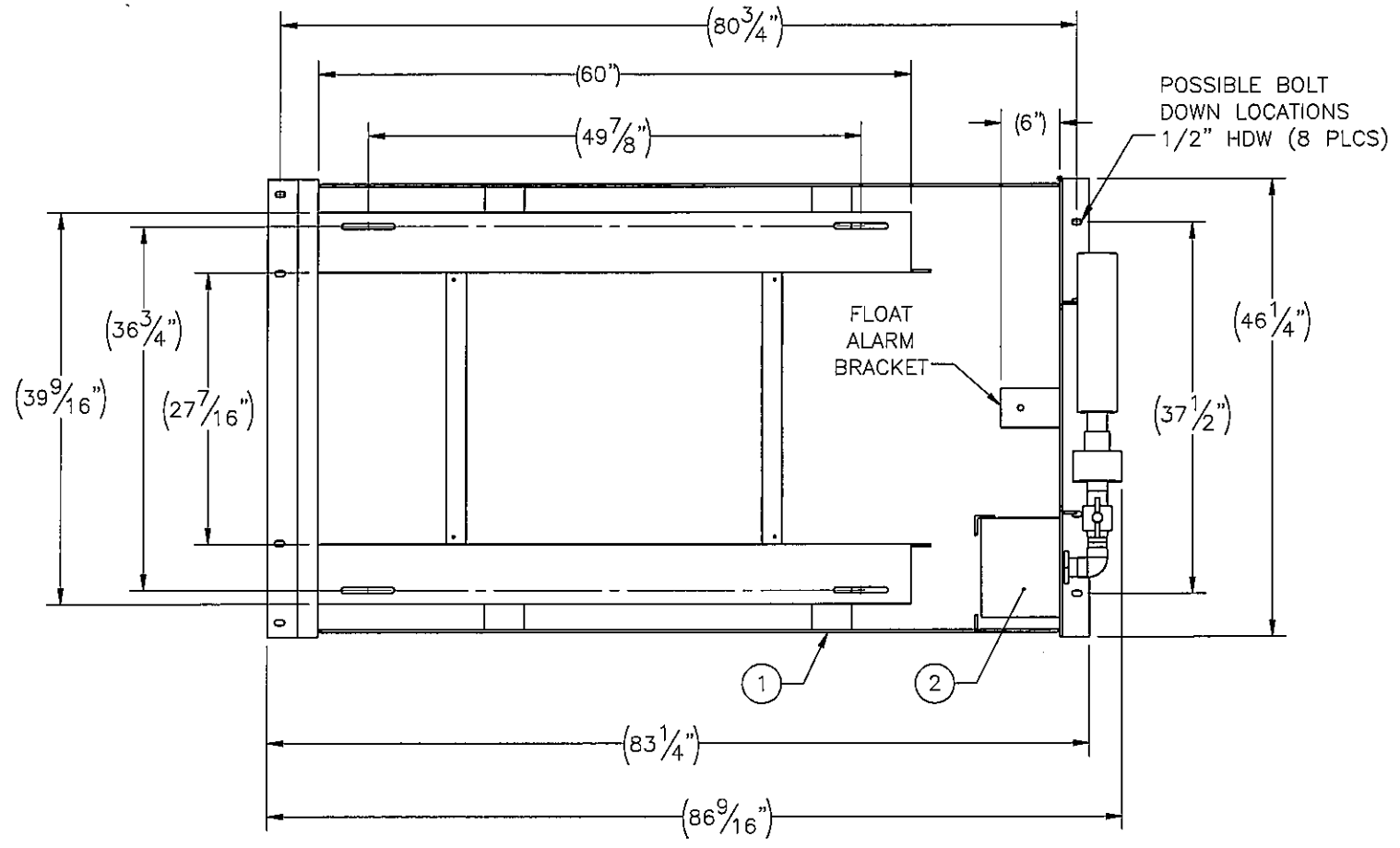

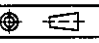


THE INFORMATION CONTAINED IN THIS DRAWING IS THE SOLE PROPERTY OF ELECTRO MECHANICAL INDUSTRIES, INC. ANY REPRODUCTION IN PART OR WHOLE WITHOUT THE WRITTEN PERMISSION OF ELECTRO MECHANICAL IND., IS PROHIBITED.

REVISIONS					
REV.	DCN #	DESCRIPTION	DATE	BY	APPROVED
1	DCN00899	VISUALLY UPDATED FOR BELOW CHANGES	12/21/2020	PG	JPB



ITEM NO.	QTY	PART NUMBER	DESCRIPTION	LENGTH	WEIGHT
1	1	W-001-574	GENERATOR PAN WELDMENT		726.41
2	1	175-0FB-0001	PFB-810 PRE-FILTER BASKET ALUMINUM		5.2
3	1	175-00E-9001	1.5" PVC 90 DEG ELBOW		0.01
4	1	175-00N-0006	1.5" DIA DARK GRAY PVC PIPE NIPPLE	3"	0.11
5	1	175-0BV-0003	1.5" PVC BALL VALVE	4 11/16"	0.01
6	1	175-00F-0002	SPI, PRE-FILTER		0.07
7	1	175-00F-0001	OIL SPILL FILTER, 1.5" MALE THREADED FITTING	16"	0.21
8	1	175-00N-0007	1.5" PVC THREADED BOTH END NIPPLE	2"	0.07
9	1	175-TWF-0001	PVC, NPT FEMALE ON BOTH ENDS, 1.50" PIPE SIZE, 3" LONG		0.47

SURFACE FINISH <input checked="" type="checkbox"/> UNLESS OTHERWISE SPECIFIED		UNLESS OTHERWISE SPECIFIED DIMENSIONS ARE IN INCHES		APPROVALS		DATE	 EMI PRODUCTS, LLC 11230 NEESHAW DRIVE HOUSTON, TEXAS 77065 1-800-453-0050
MATERIAL SEE PARTS LIST		TOLERANCES .00 ± .06 .000 ± .01 .000 ± .005		DRAWN J. CRITELLI		1.24.20	
THIRD ANGLE PROJECTION 		FRACTIONS ± 1/16		CHECKED B. HUTSON		3/2/2020	TITLE: GENERATOR PAN 90 GAL.
NEXT ASSY USED ON		ANGLES ± 25°		ENGINEER/DESIGNER J. BREEN		3/2/2020	REV 1
APPLICATIONS		HOLES: DRILLED OR PUNCHED +1/32		PRODUCTION J.K.S.		3/3/2020	DRAWING NO. 1015-0000-0042
		BURNED ±1/32					SCALE: 1:18 WEIGHT: 733 lbs. SHEET 1 OF 1

NOTE:  
 1. ASSEMBLE PER INDUSTRY STANDARDS.  
 2. DEBRIS COVER OPTION PART # 1015-0000-0046