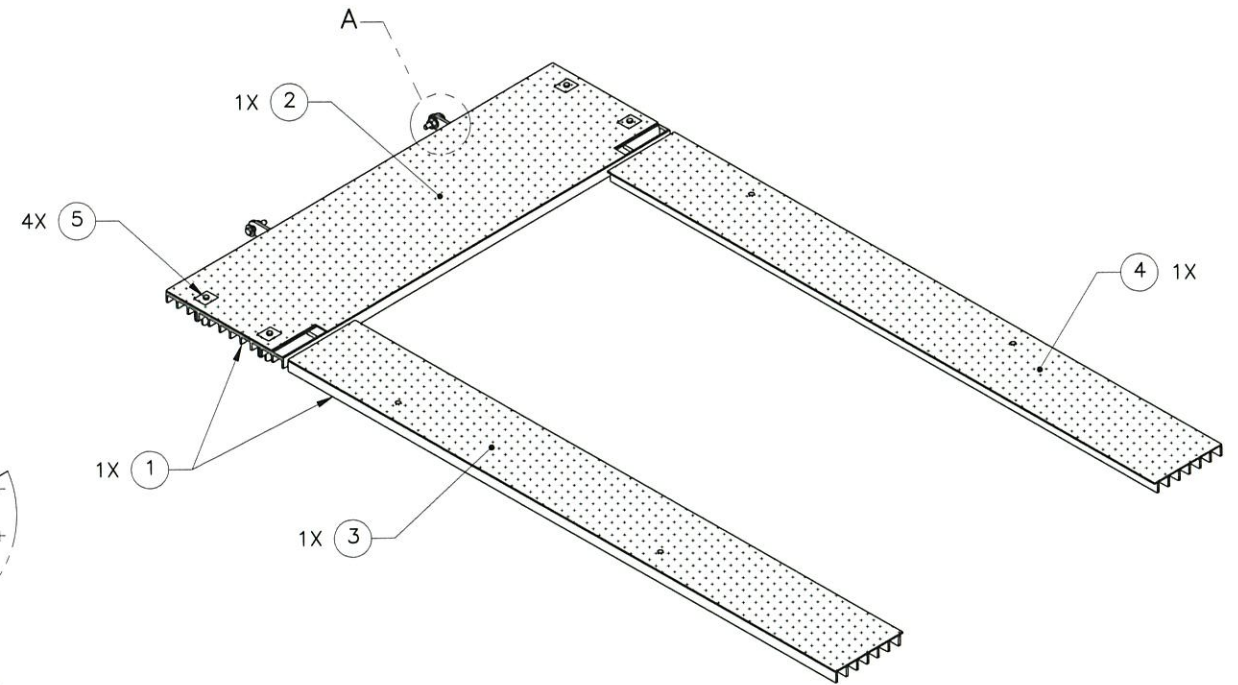
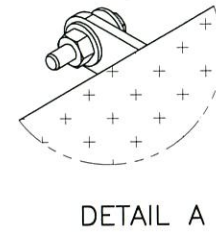
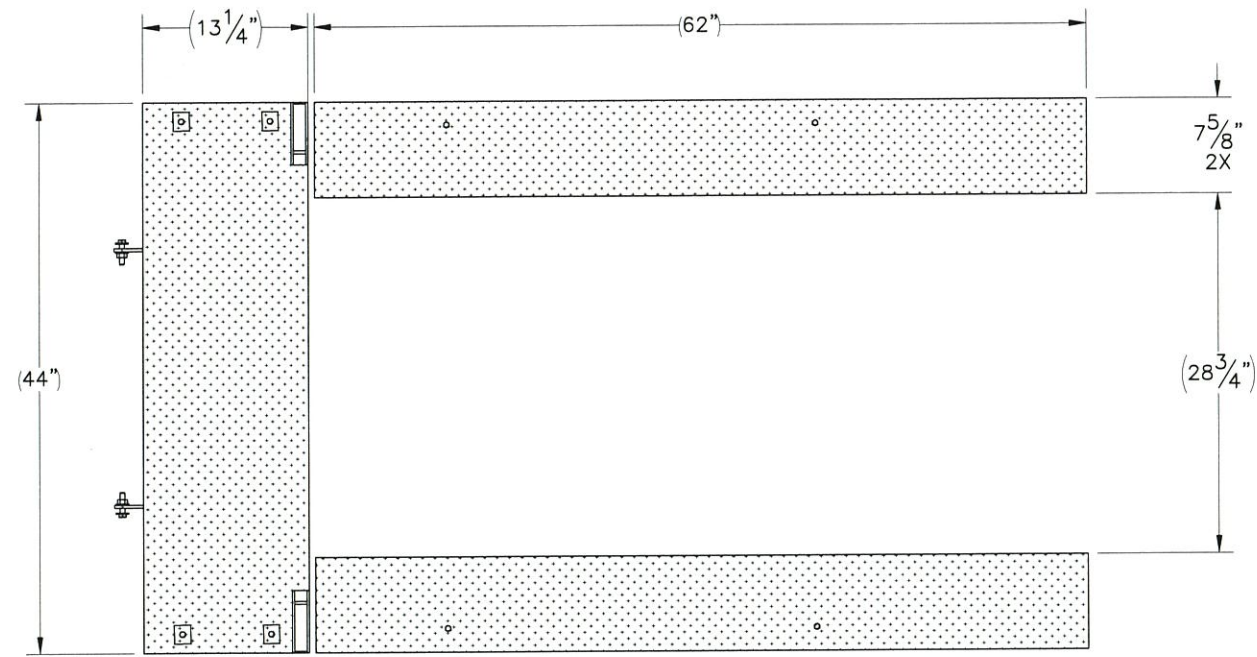


THE INFORMATION CONTAINED IN THIS DRAWING IS THE SOLE PROPERTY OF ELECTRO MECHANICAL INDUSTRIES, INC. ANY REPRODUCTION IN PART OR WHOLE WITHOUT THE WRITTEN PERMISSION OF ELECTRO MECHANICAL IND., IS PROHIBITED.



ITEM NO.	QTY	PART NUMBER	DESCRIPTION	LENGTH	WEIGHT
1	1	1015-0000-0045	GRATING COVERS PACKAGE		79.0
2	1	P-003-961	DIAMOND PLATE #1	44"	2.43
3	1	P-003-962	DIAMOND PLATE #2	62"	2.02
4	1	P-003-963	DIAMOND PLATE #3	62"	2.02
5	4	000-MSG-0008	GRATING CLIP, 1", GALV.		0.20

SURFACE FINISH <input checked="" type="checkbox"/> UNLESS OTHERWISE SPECIFIED		UNLESS OTHERWISE SPECIFIED DIMENSIONS ARE IN INCHES		APPROVALS		DATE		 ELECTRO MECHANICAL INDUSTRIES, INC. 11230 NEECHAW DRIVE HOUSTON, TEXAS 77065 1-800-453-0050	
MATERIAL SEE PARTS LIST		TOLERANCES 0 ± .06 .000 ± .01 .000 ± .005		DRAWN J. CRITELLI		1.27.20		TITLE: GRATING AND DIAMOND PLATE COVERS ASSEMBLY	
THIRD ANGLE PROJECTION 		FRACTIONS ± 1/16		CHECKED <i>BLH</i>		2.18.20		SIZE B	
NEXT ASSY		ANGLES ± .25°		ENGINEER/DISIGNER <i>J. Critelli</i>		2/29/20		DRAWING NO. 1015-0000-0046	
USED ON		HOLES: DRILLED OR PUNCHED +1/32		PRODUCTION <i>JKS</i>		3-3-20		REV -	
APPLICATIONS		BURNED ± 1/32		SCALE: 1:15		WEIGHT: 86.3 lbs.		SHEET 1 OF 1	