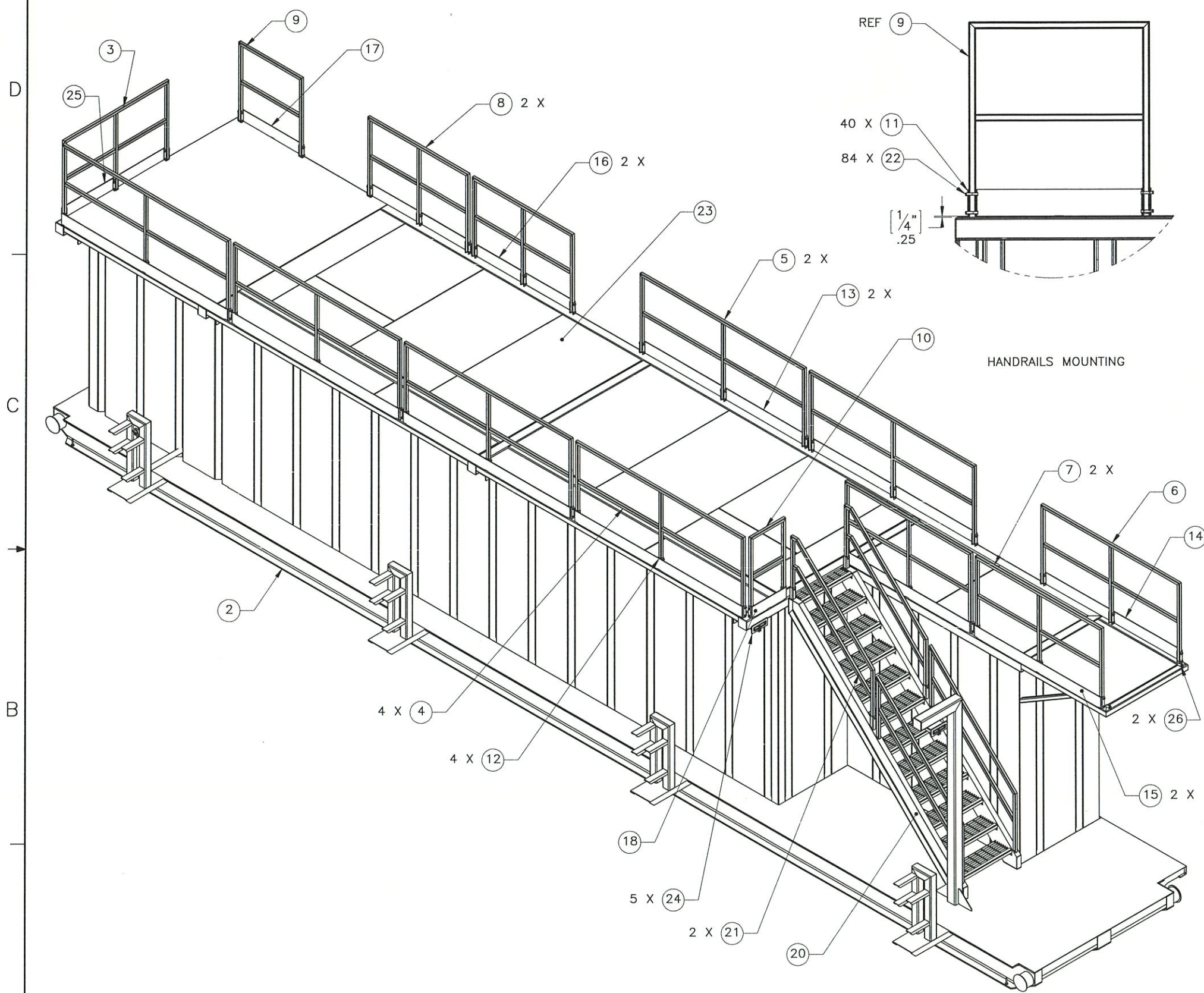


THE INFORMATION CONTAINED IN THIS DRAWING IS THE SOLE PROPERTY OF ELECTRO MECHANICAL INDUSTRIES, INC. ANY REPRODUCTION IN PART OR WHOLE WITHOUT THE WRITTEN PERMISSION OF ELECTRO MECHANICAL IND., IS PROHIBITED.


REVISIONS				
ZONE	REV	DESCRIPTION	DATE	APPROVED
	A	ADDED ITEM 24, BRACKET	12/27/11	II
	B	ITEMS 19,20 & 23 MODIFIED. ITEMS 25-27 ADDED.	2/29/12	<i>[Signature]</i>



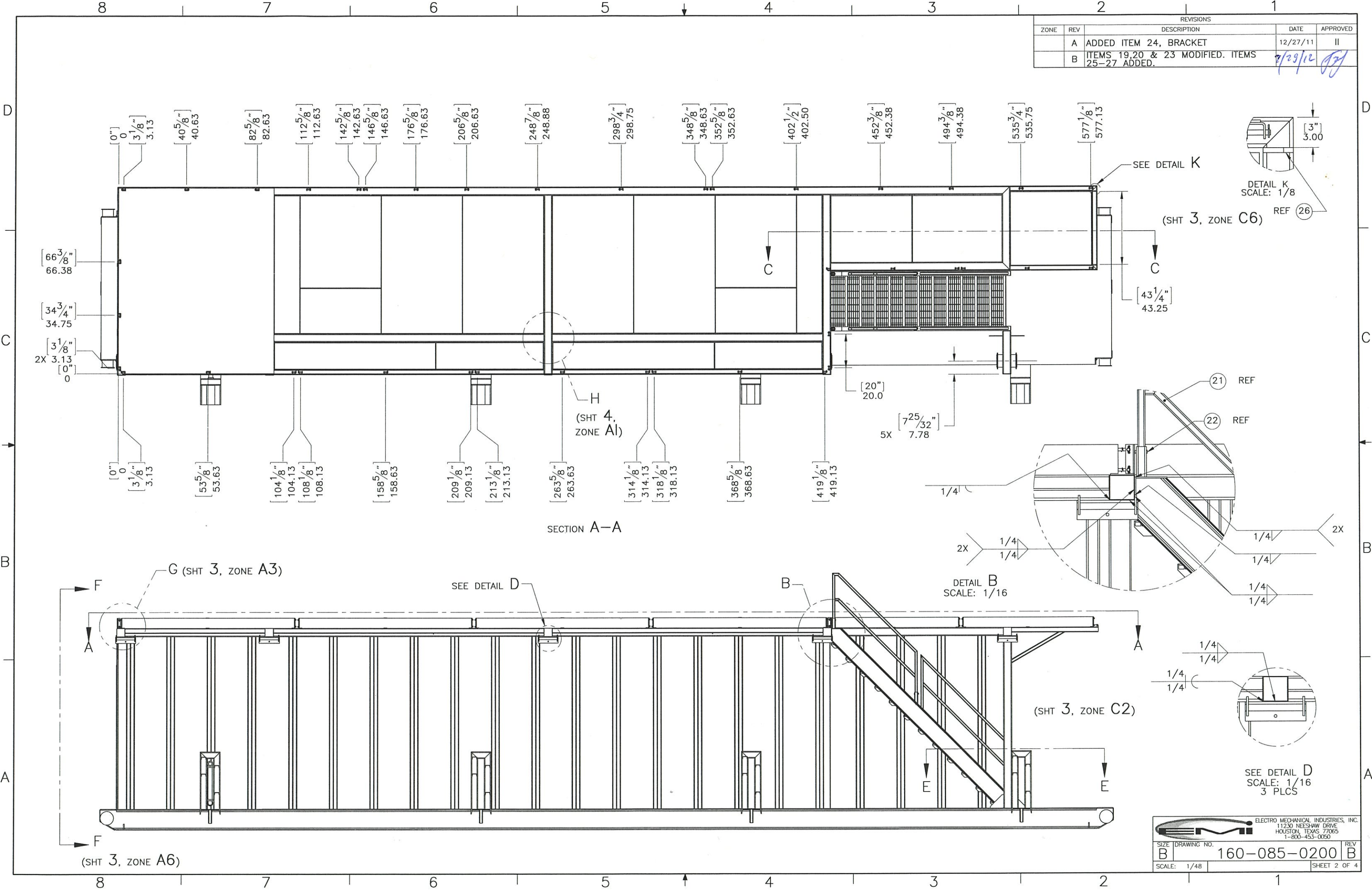
QTY REQD	ITEM NO.	PART NUMBER	DESCRIPTION
2	27	160-085-0615-1	DOOR PIN
2	26	160-085-0621-1	HINGE, WALKWAY
1	25	160-085-0625-5	KICK OFF PLATE
5	24	160-085-0650-1	BRACKET, FESTOON BEAM
1	23	-23	FIBER GLASS GRATING, 1.5 THK
84	22	COMMON	CLEVIS PIN, 9/16"
2	21	160-085-0611-1	HANDRAIL, STAIR
1	20	160-085-0430-1	STAIR ASSEMBLY
1	19	160-085-0216	DOOR
1	18	160-085-0625-12	KICK OFF PLATE
1	17	160-085-0625-11	KICK OFF PLATE
2	16	160-085-0625-10	KICK OFF PLATE
2	15	160-085-0625-9	KICK OFF PLATE
1	14	160-085-0625-8	KICK OFF PLATE
2	13	160-085-0625-7	KICK OFF PLATE
4	12	160-085-0625-6	KICK OFF PLATE
40	11	160-085-0620-1	SOCKET, HANDRAIL, TUBING, SQ, 2.0X2.0X.19 THK, ASTM A500 GR B STL
1	10	160-085-0610-12	HANDRAIL
1	9	160-085-0610-11	HANDRAIL
2	8	160-085-0610-10	HANDRAIL
2	7	160-085-0610-9	HANDRAIL
1	6	160-085-0610-8	HANDRAIL
2	5	160-085-0610-7	HANDRAIL
4	4	160-085-0610-6	HANDRAIL
1	3	160-085-0610-5	HANDRAIL
1	2	160-085-0205-1	WATER TANK WELDMENT
-1	-1	-1	WATER TANK ASSEMBLY

-1 WATER TANK ASSEMBLY

B	B	B	B	REV	REV STATUS OF SHEETS
4	3	2	1	SHEET	

SURFACE FINISH <input checked="" type="checkbox"/> UNLESS OTHERWISE SPECIFIED		UNLESS OTHERWISE SPECIFIED DIMENSIONS ARE IN INCHES		APPROVALS		DATE		 ELECTRO MECHANICAL INDUSTRIES, INC. 11230 NEESHAW DRIVE HOUSTON, TEXAS 77065 1-800-453-0050	
MATERIAL		TOLERANCES		DRAWN		12/21/11		TITLE:	
THIRD ANGLE PROJECTION		.0 ± .1		CHECKED		12/21/11		WATER TANK ASSEMBLY	
		.000 ± .005		R AVELAR		12/21/11			
		ANGLES ± .05°		ENGINEER/DESIGNER		12/21/11		SIZE DRAWING NO.	
NEXT ASSY		HOLES:		PRODUCTION		12/22/11		B 160-085-0200 B	
USED ON		.013 THRU .125 +.005 -.002		JK SUNDERLAND				SCALE: 1/48	
APPLICATIONS		.126 THRU 1.500 +.012 -.003						SHEET 1 OF 4	

REVISIONS				
ZONE	REV	DESCRIPTION	DATE	APPROVED
	A	ADDED ITEM 24, BRACKET	12/27/11	II
	B	ITEMS 19,20 & 23 MODIFIED. ITEMS 25-27 ADDED.	2/29/12	<i>[Signature]</i>



SECTION A-A

DETAIL B  
SCALE: 1/16

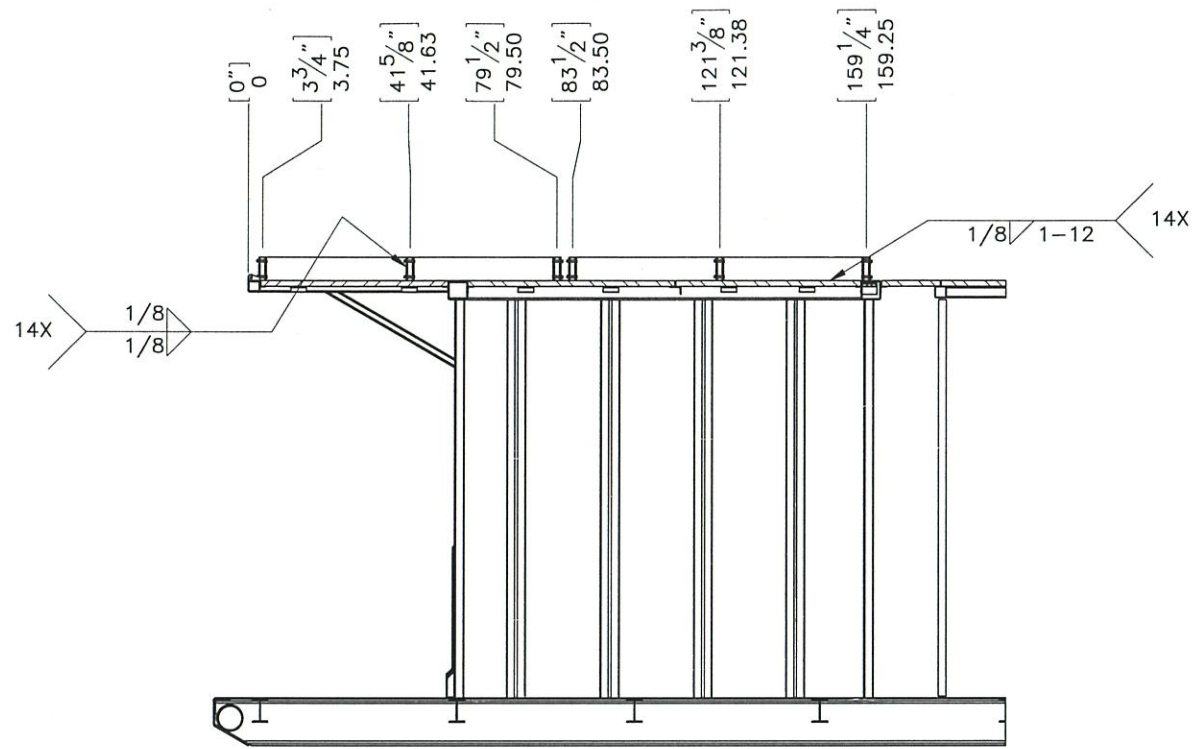
DETAIL K  
SCALE: 1/8

SEE DETAIL D  
SCALE: 1/16  
3 PLCS

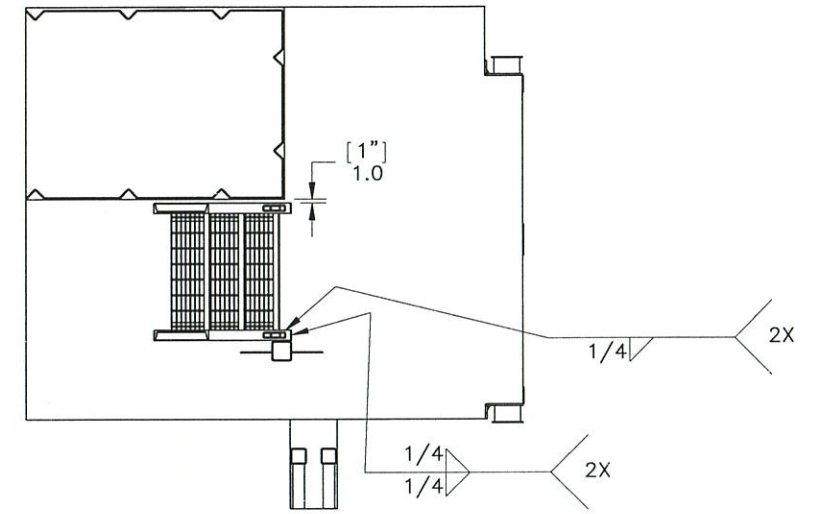
**ELECTRO MECHANICAL INDUSTRIES, INC.**  
 11230 NEESHAW DRIVE  
 HOUSTON, TEXAS 77065  
 1-800-453-0050

SIZE: B DRAWING NO.: 160-085-0200 REV: B  
 SCALE: 1/48 SHEET 2 OF 4

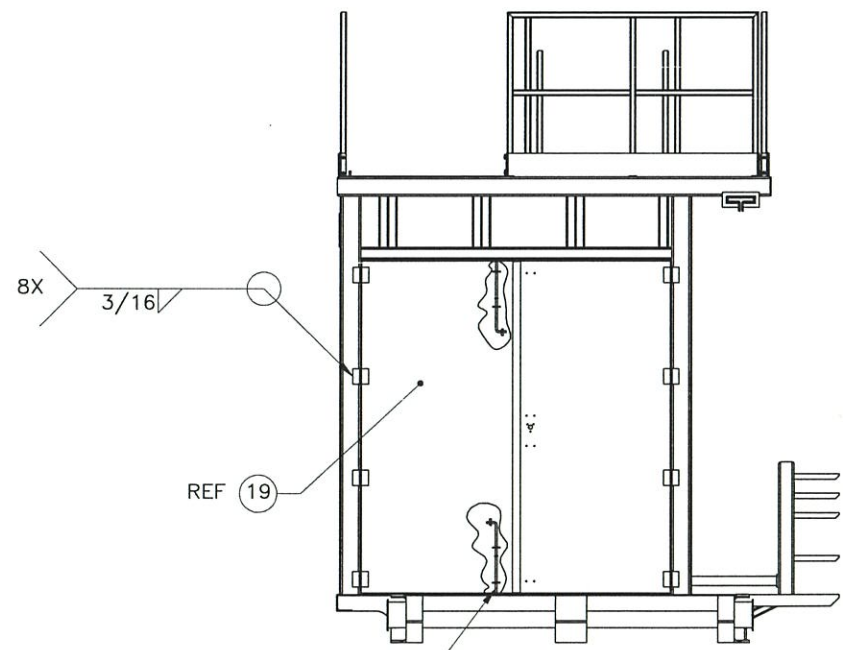
REVISIONS				
ZONE	REV	DESCRIPTION	DATE	APPROVED
	A	ADDED ITEM 24, BRACKET	12/27/11	II
	B	ITEMS 19,20 & 23 MODIFIED. ITEMS 25-27 ADDED.	1/29/12	<i>[Signature]</i>



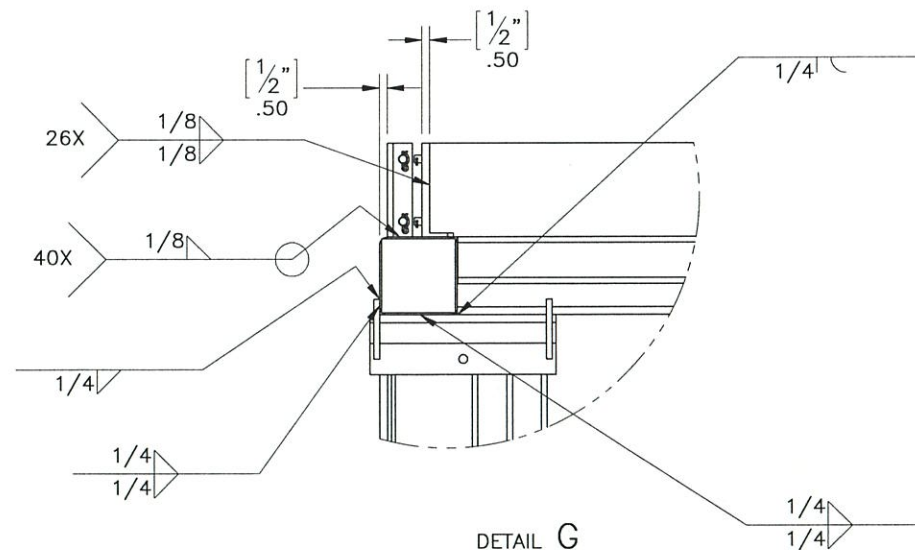
SECTION C-C  
SHT 2, ZONE D2



SECTION E-E  
SHT 2, ZONE A2

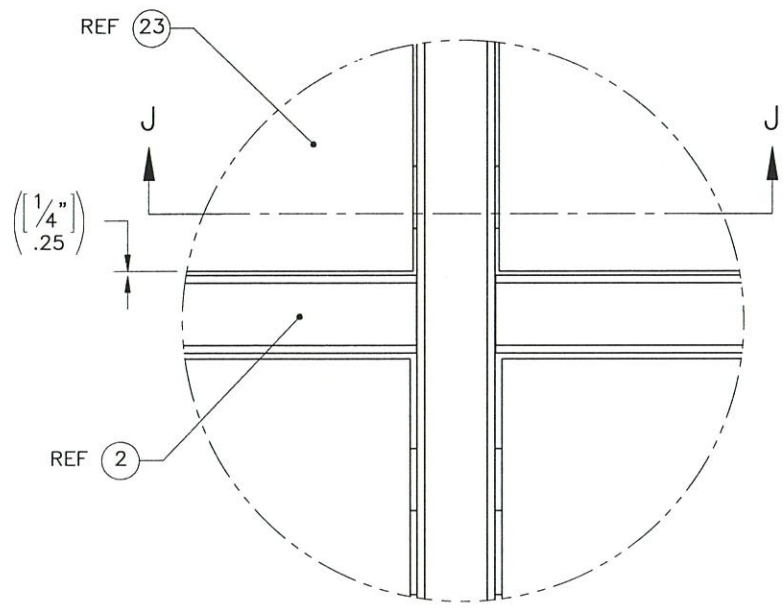


VIEW F  
SHT 2, ZONE A8

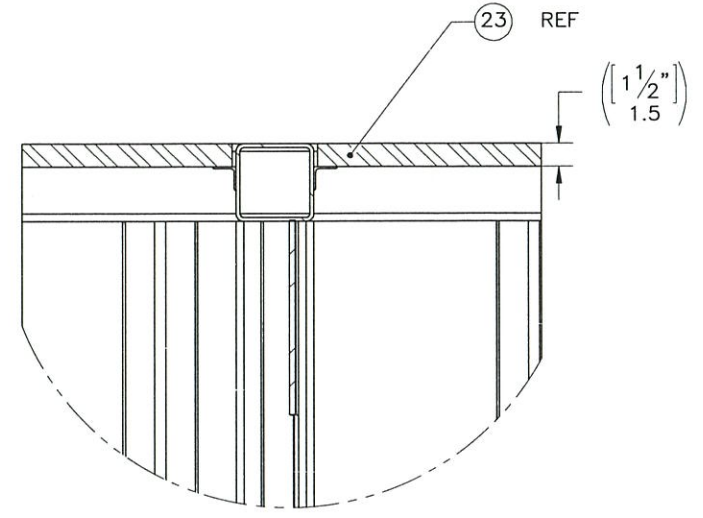


DETAIL G  
SCALE 1/12  
SHT 2, ZONE B7

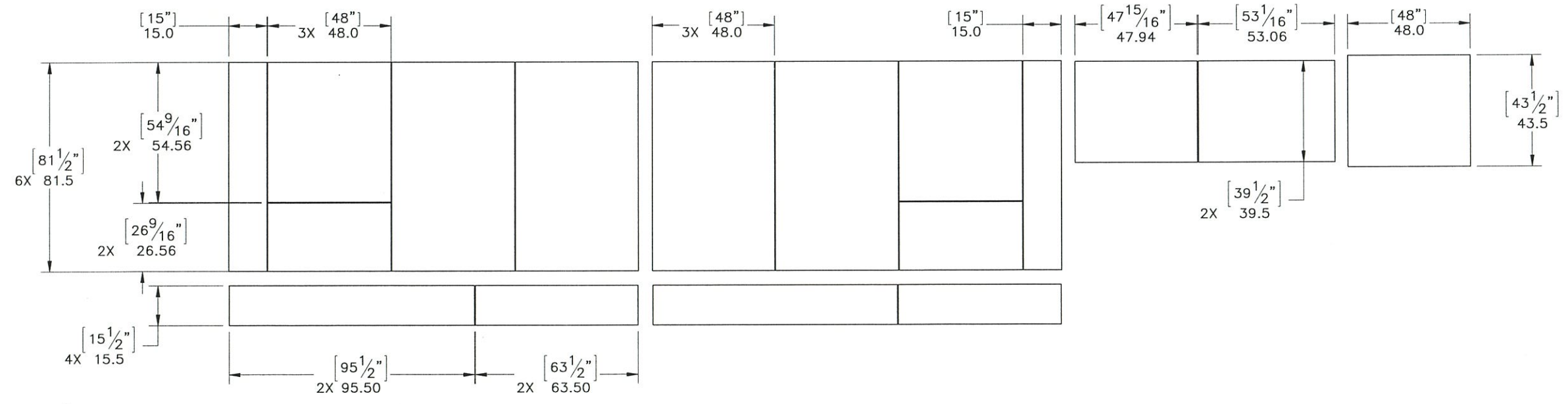
REVISIONS				
ZONE	REV	DESCRIPTION	DATE	APPROVED
	B	ITEMS 19,20 & 23 MODIFIED. ITEMS 25-27 ADDED.	2/29/12	



DETAIL H  
SCALE 1/12  
SHT 2, ZONE C5



VIEW J  
SCALE 1/12



-23 FIBER GLASS GRATING KIT

ELECTRO MECHANICAL INDUSTRIES, INC.  
11230 NESHAW DRIVE  
HOUSTON, TEXAS 77065  
1-800-453-0050

SIZE	DRAWING NO.	REV
B	160-085-0200	-
SCALE: 1/48	SHEET 4 OF 4	