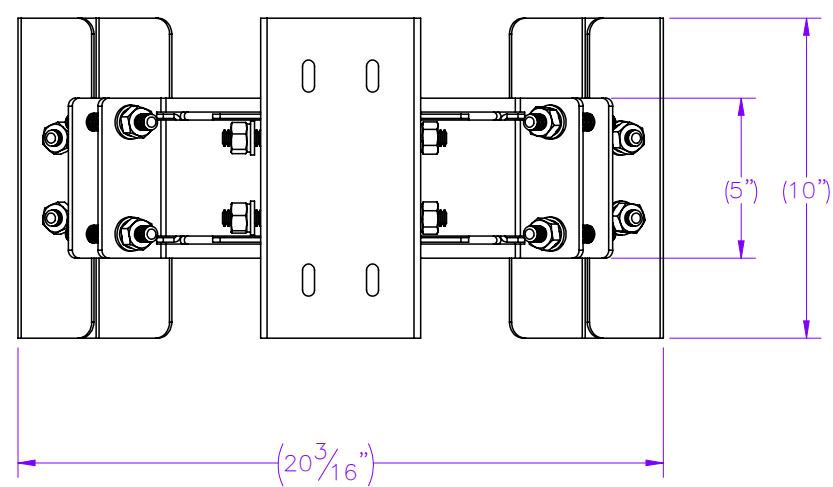
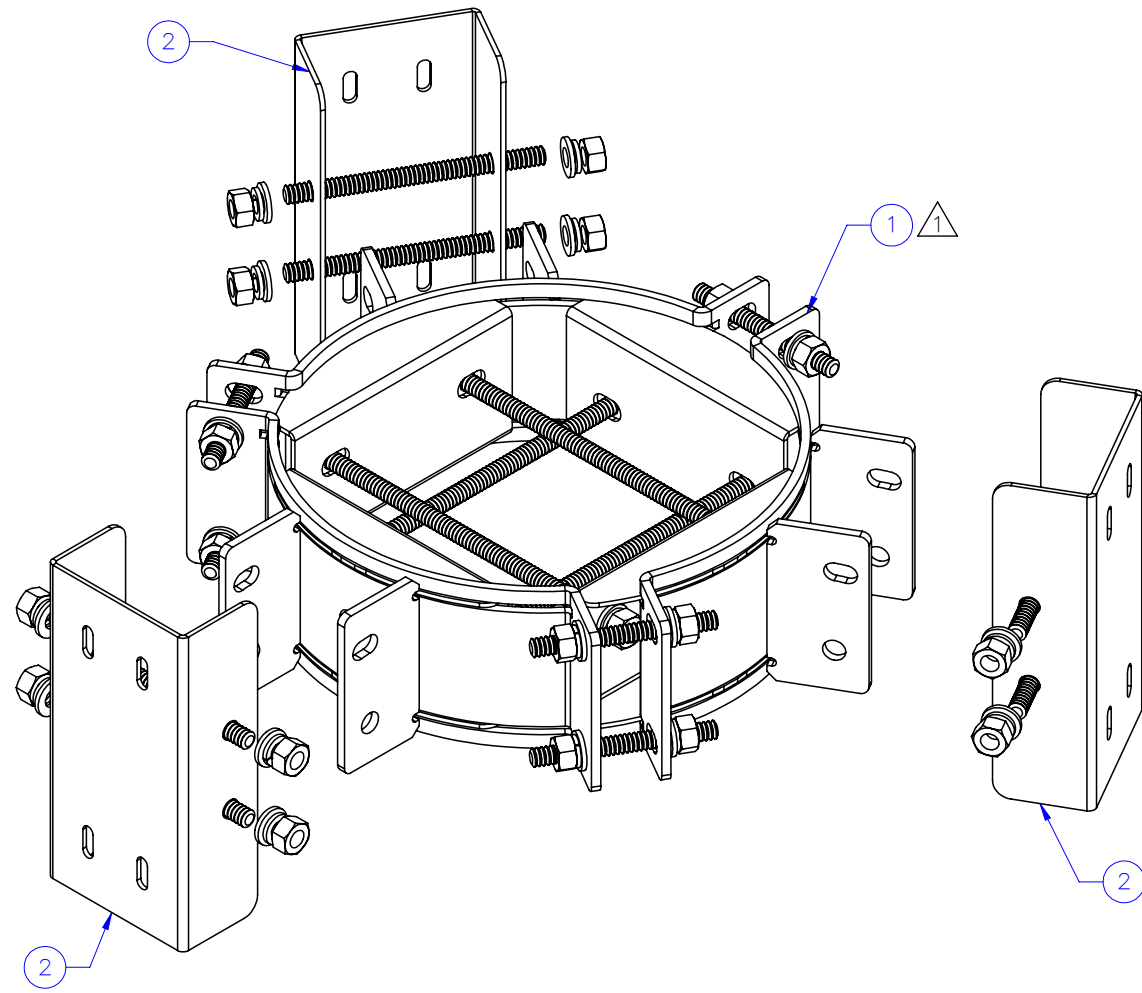
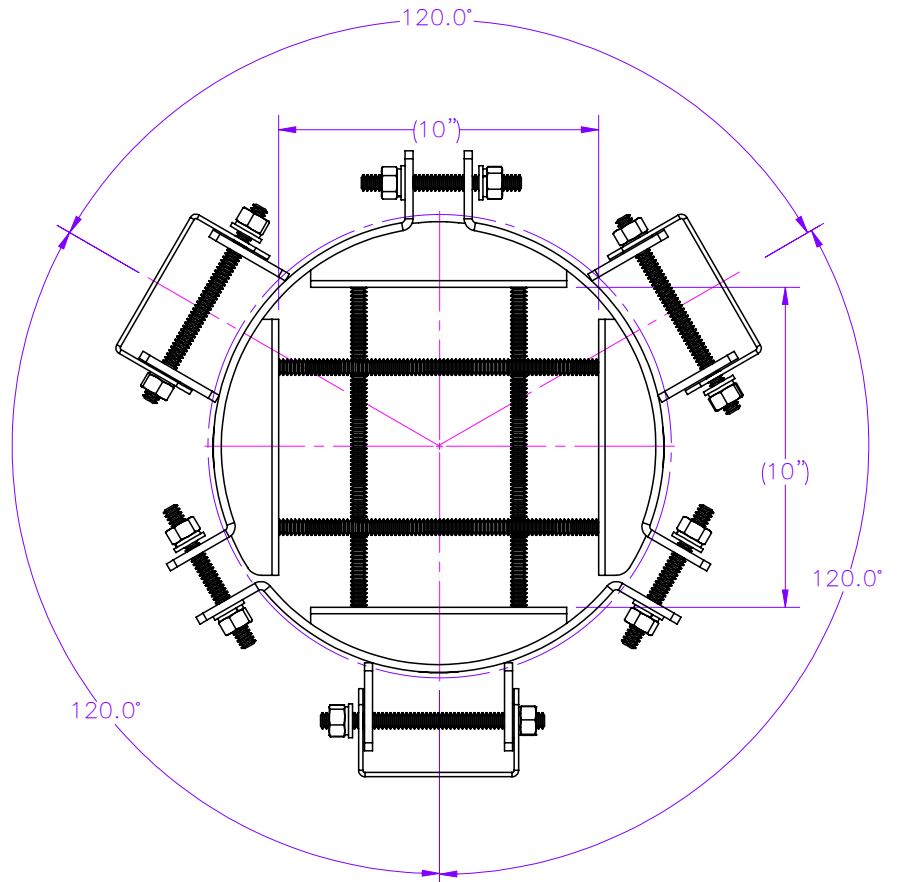


THE INFORMATION CONTAINED IN THIS DRAWING IS THE SOLE PROPERTY OF ELECTRO MECHANICAL INDUSTRIES, INC. ANY REPRODUCTION IN PART OR WHOLE WITHOUT THE WRITTEN PERMISSION OF ELECTRO MECHANICAL IND., IS PROHIBITED.

REVISIONS					
REV.	DCN #	DESCRIPTION	DATE	BY	APPROVED
1	DCN01000	UPDATED 1000-0020-0066 VISUALLY	01.21.2021	MCG	FJM



ITEM NO.	QTY REQD	PART NUMBER	DESCRIPTION	LENGTH	WEIGHT
1	1	1000-0020-0066	360 DEG. RADIO MOUNT KIT, 10" SQ. POLE		38.07
2	3	P-004-668	SAMSUNG RADIO BKT TO BKT, 10" SQ. POLE 360 DEG. RADIO MNT	10"	3.75

SURFACE FINISH <input checked="" type="checkbox"/> UNLESS OTHERWISE SPECIFIED		UNLESS OTHERWISE SPECIFIED DIMENSIONS ARE IN INCHES		APPROVALS		DATE	
MATERIAL SEE PARTS LIST		TOLERANCES		DRAWN		01.13.2021	
THIRD ANGLE PROJECTION		.0 ± .06		CHECKED		01.19.2021	
		.00 ± .015		ENGINEER/DISIGNER		01.19.2021	
		.000 ± .005		PRODUCTION		01.19.2021	
NEXT ASSY		DRILLED OR PUNCHED		J.K.S.			
USED ON		+1/32					
APPLICATIONS		BURNED					
		±1/32					

TITLE: 360 DEG. RADIO MOUNT KIT, 10" SQ. POLE W- RADIO BKT		ELECTRO MECHANICAL INDUSTRIES, INC. 11230 NEESESHAW DRIVE HOUSTON, TEXAS 77065 1-800-453-0050	
SIZE B	DRAWING NO. 1000-0030-0063	REV 1	
SCALE: 1:6	WEIGHT: 49.32 lbs.	SHEET 1 OF 1	

NOTES:

1. ALL MANUF. PARTS TO BE GALVANIZED AND PAINTED PER CUSTOMER SPEC.