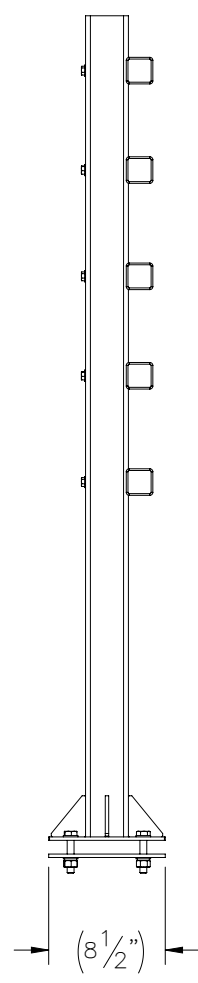
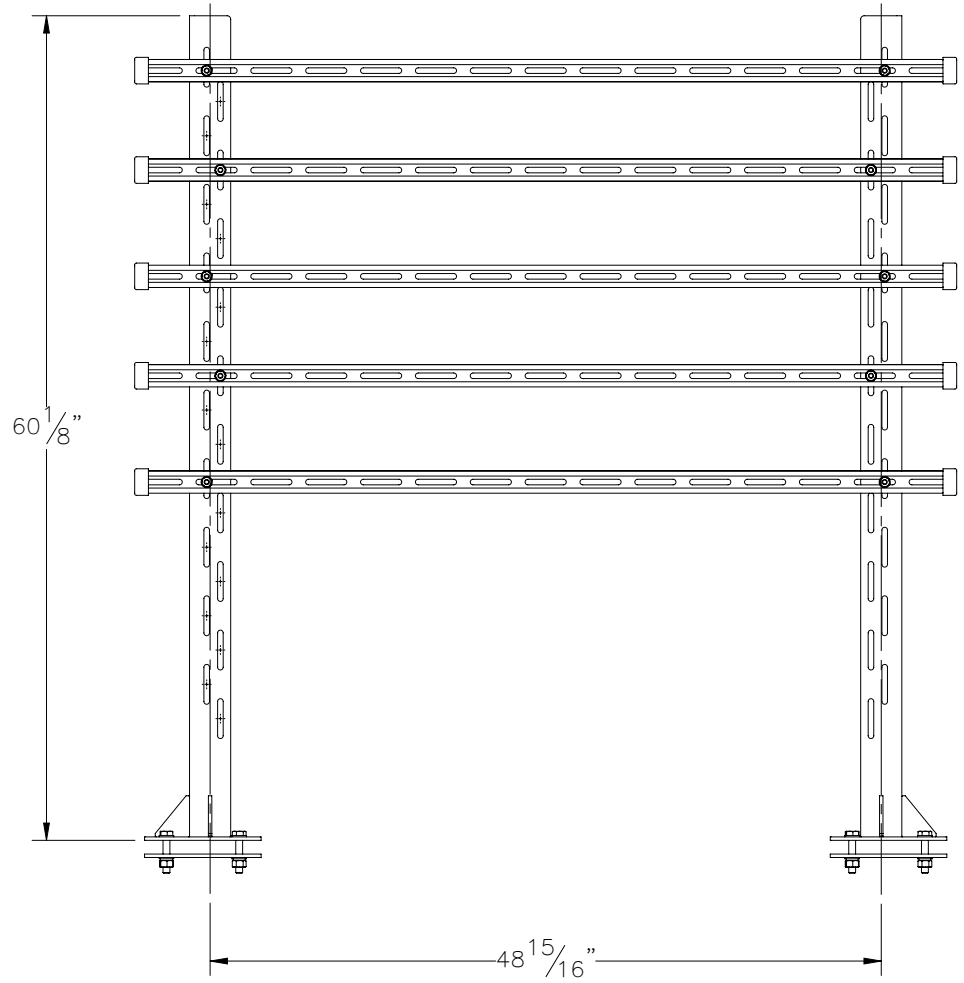
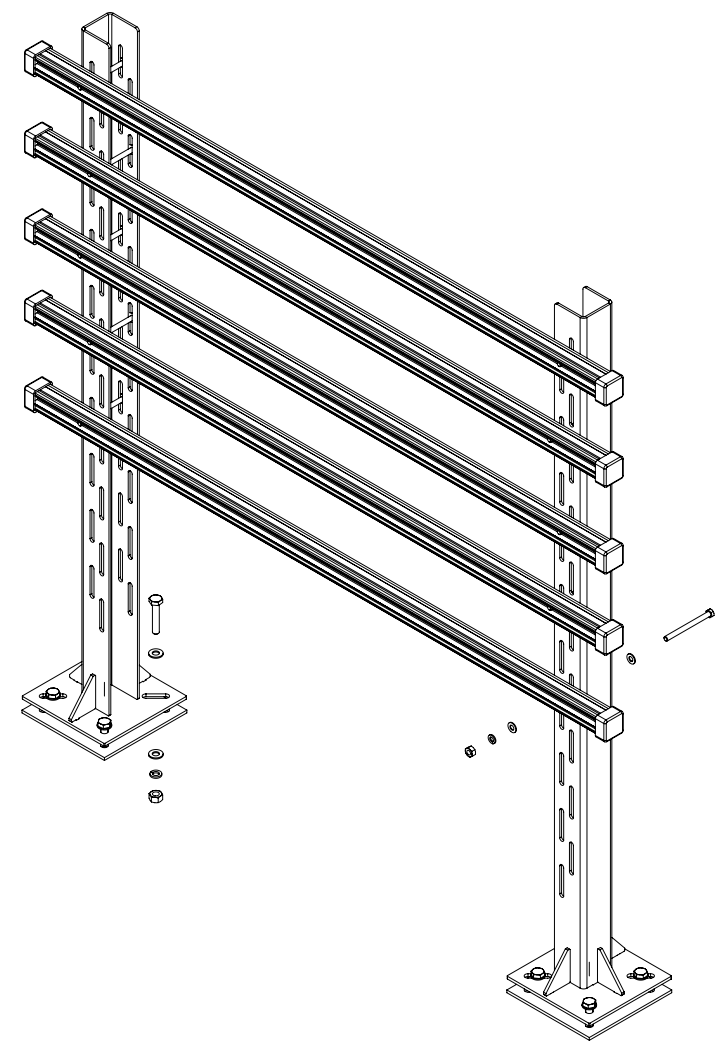
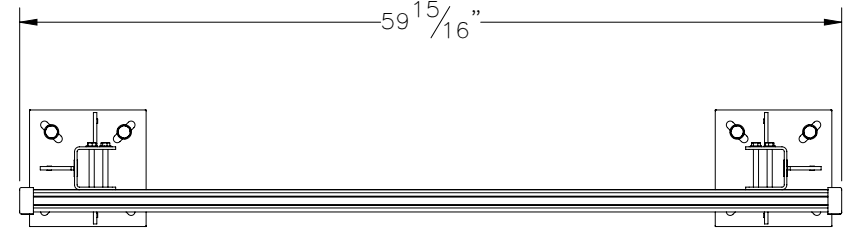

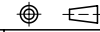


THE INFORMATION CONTAINED IN THIS DRAWING IS THE SOLE PROPERTY OF ELECTRO MECHANICAL INDUSTRIES, INC. ANY REPRODUCTION IN PART OR WHOLE WITHOUT THE WRITTEN PERMISSION OF ELECTRO MECHANICAL IND., IS PROHIBITED.



SURFACE FINISH <input checked="" type="checkbox"/> UNLESS OTHERWISE SPECIFIED		UNLESS OTHERWISE SPECIFIED DIMENSIONS ARE IN INCHES		APPROVALS	DATE	 ELECTRO MECHANICAL INDUSTRIES, INC. 11230 NEESEAW DRIVE HOUSTON, TEXAS 77065 1-800-453-0050
MATERIAL	SEE PARTS LIST	TOLERANCES		DRAWN	7/18/2024	
THIRD ANGLE PROJECTION		.0 ± .06 .00 ± .015 .000 ± .005		CHECKER		5-LEVEL FORMED H-FRAME
NEXT ASSY	USED ON	FRACTIONS ± 1/16 ANGLES ± .25°		ENGINEER		
APPLICATIONS		HOLES:		PRODUCTION		SIZE
		DRILLED OR PUNCHED				DRAWING NO.
		BURNED				1000-0030-0215
						REV
						0
						SCALE: 1:14
						WEIGHT: 109.98 lbs.
						SHEET 1 OF 1