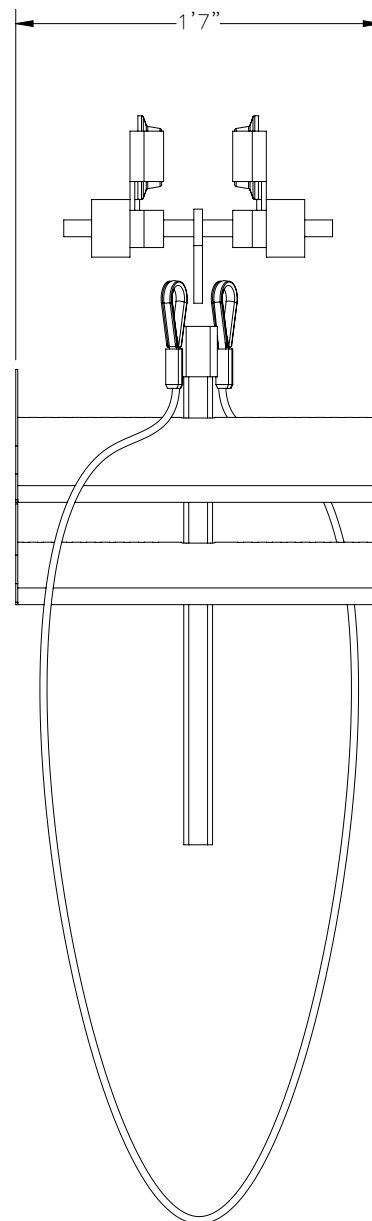
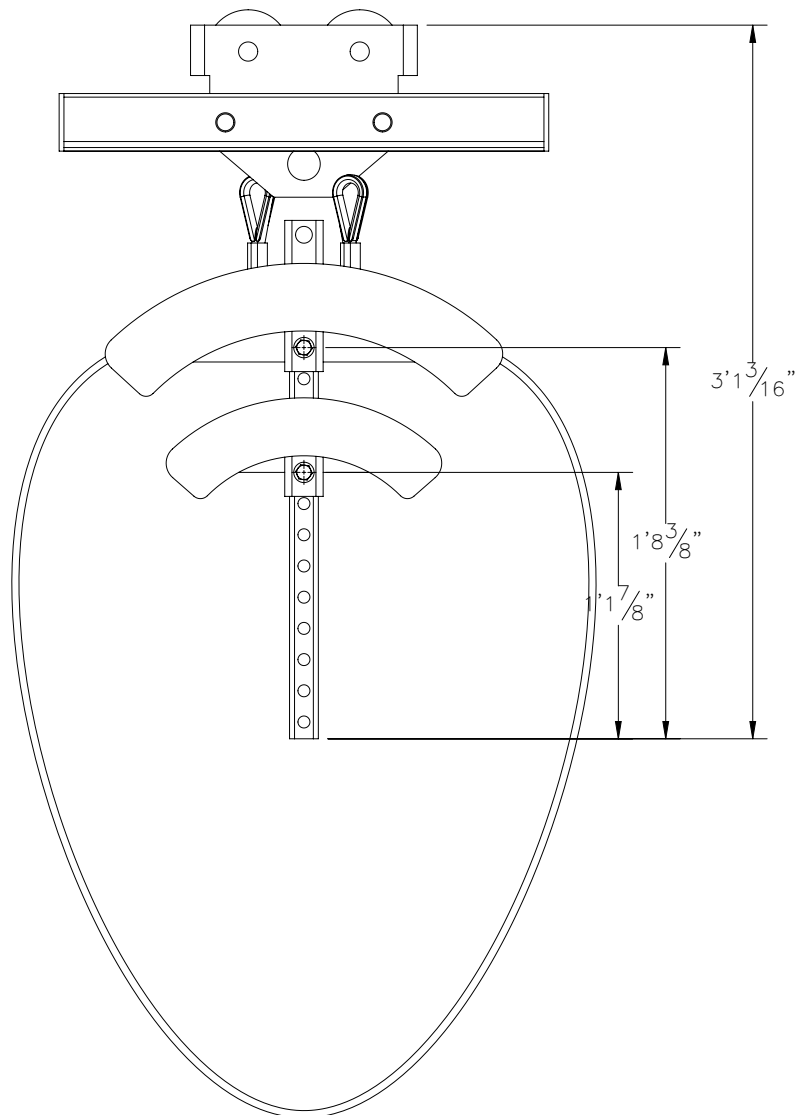
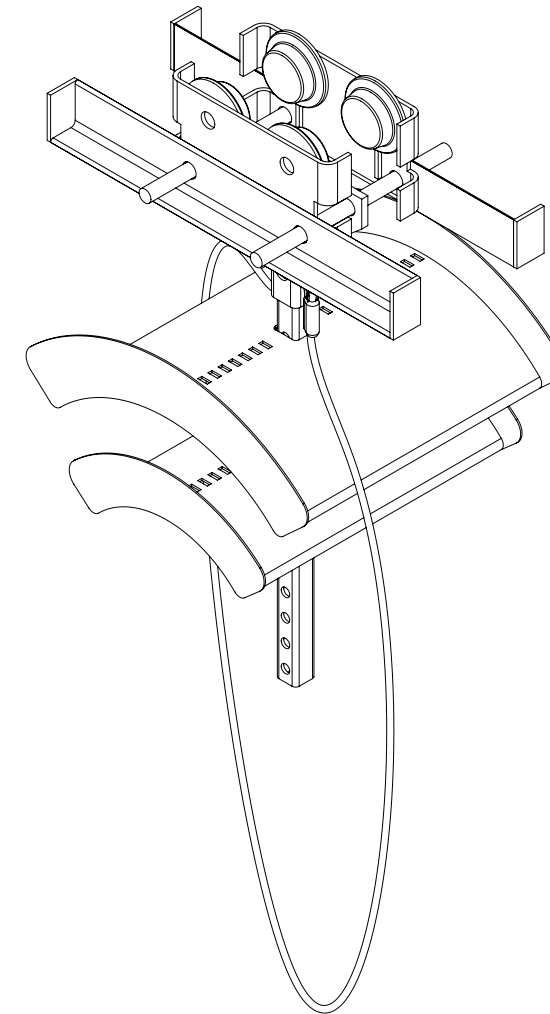
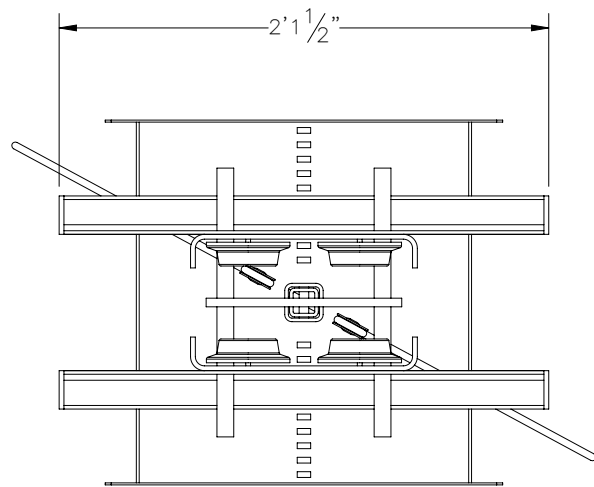

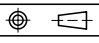


THE INFORMATION CONTAINED IN THIS DRAWING IS THE SOLE PROPERTY OF ELECTRO MECHANICAL INDUSTRIES, INC. ANY REPRODUCTION IN PART OR WHOLE WITHOUT THE WRITTEN PERMISSION OF ELECTRO MECHANICAL IND., IS PROHIBITED.



SURFACE FINISH <input checked="" type="checkbox"/> UNLESS OTHERWISE SPECIFIED		UNLESS OTHERWISE SPECIFIED DIMENSIONS ARE IN INCHES		APPROVALS		DATE		 ELECTRO MECHANICAL INDUSTRIES, INC. 11230 NEESHAW DRIVE HOUSTON, TEXAS 77065 1-800-453-0050	
MATERIAL SEE PARTS LIST		TOLERANCES .0 ± .06 .00 ± .01 .000 ± .005		DRAWN RLWjr		02.08.2019			
THIRD ANGLE PROJECTION 		FRACTIONS ± 1/16 ANGLES ± .25°		CHECKED				ENGINEER/DISIGNER	
NEXT ASSY		HOLES: DRILLED OR PUNCHED ± 1/32 BURNED ± 1/32		PRODUCTION				SIZE B	
APPLICATIONS								DRAWING NO. 1011-0010-0015	
								SCALE: 1:10	
								WEIGHT: 97.57 lbs.	
								SHEET 1 OF 1	