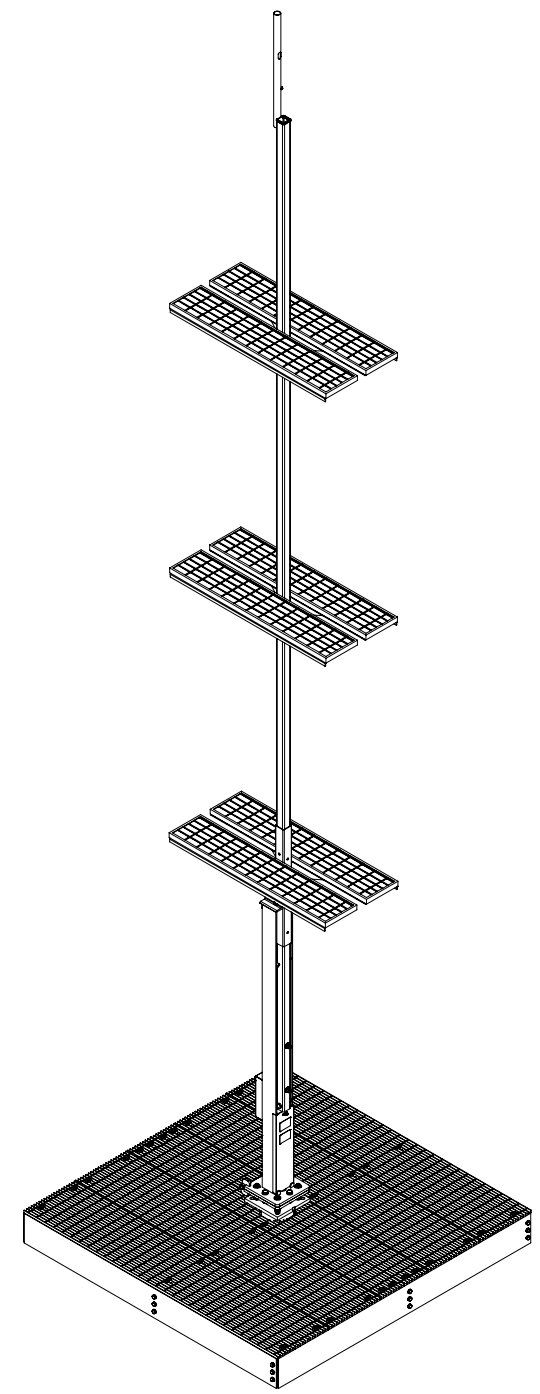
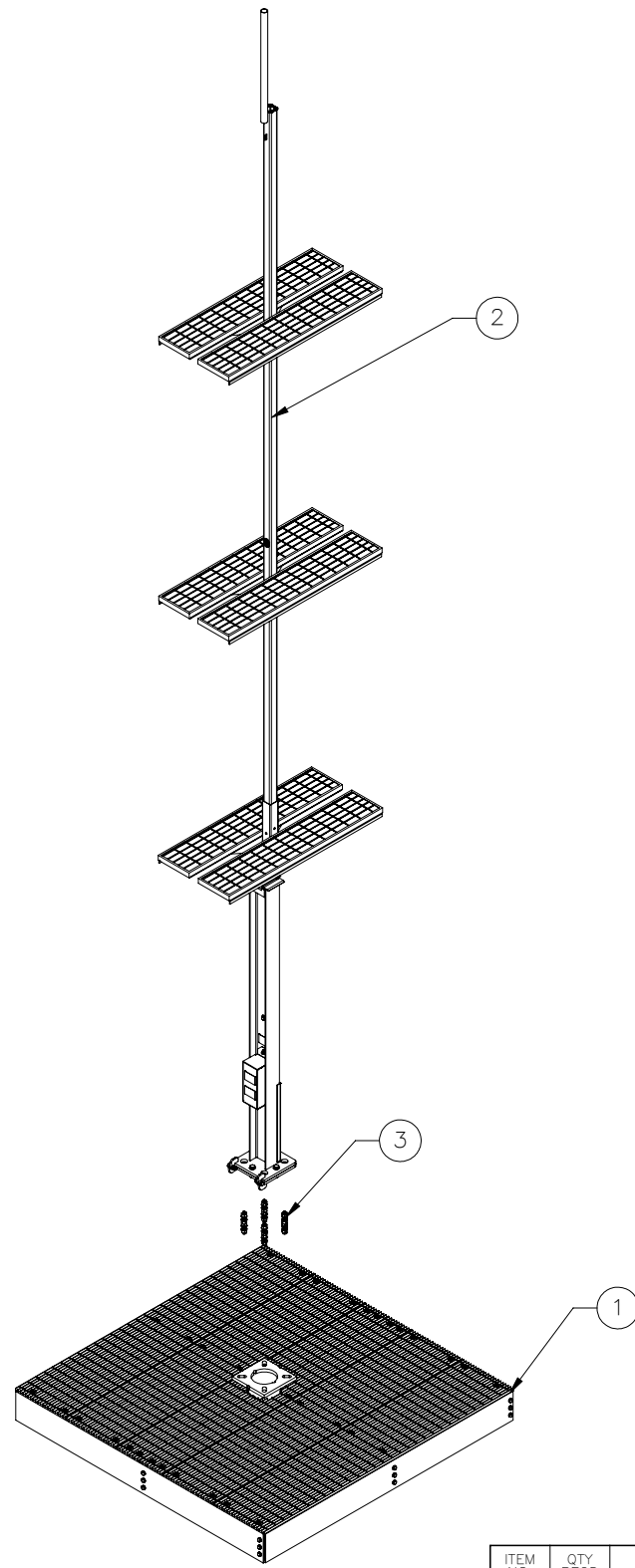
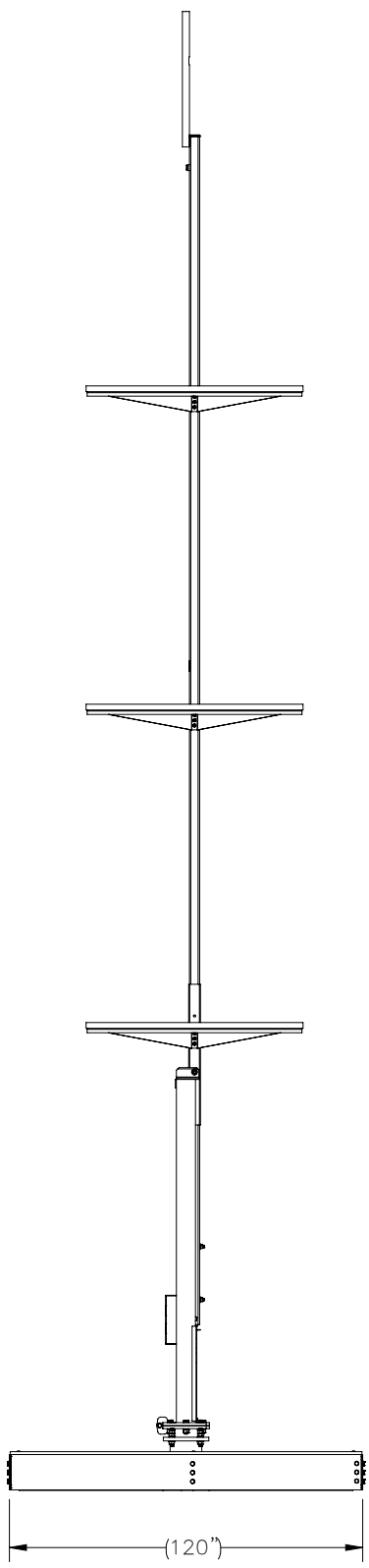
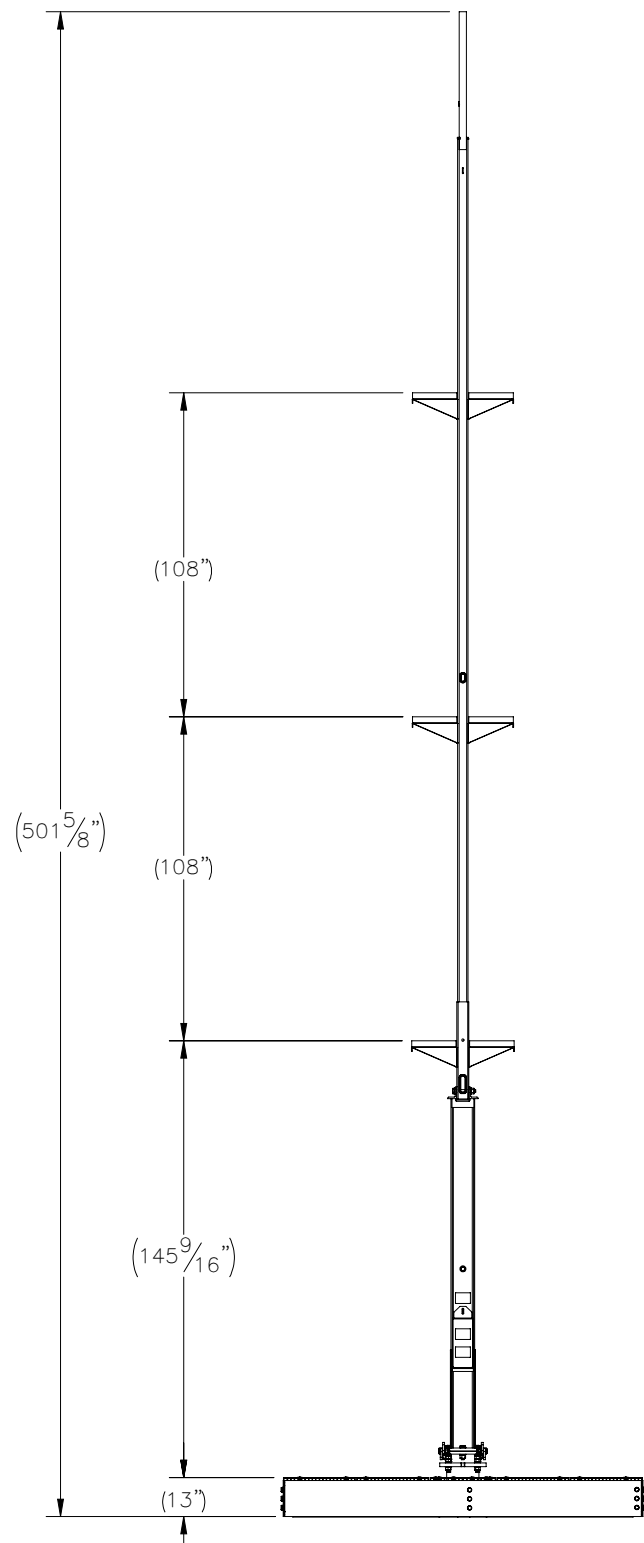

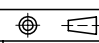


THE INFORMATION CONTAINED IN THIS DRAWING IS THE SOLE PROPERTY OF ELECTRO MECHANICAL INDUSTRIES, INC. ANY REPRODUCTION IN PART OR WHOLE WITHOUT THE WRITTEN PERMISSION OF ELECTRO MECHANICAL IND., IS PROHIBITED.



ITEM NO.	QTY REQD	PART NUMBER	DESCRIPTION	LENGTH	WEIGHT
1	1	1008-0010-0011	10' X 10' BALLAST FOUNDATION		2750
2	1	1002-0030-0058	40' TILT UP TOWER WITH SOLAR BRACKETS		1891.5
3	1	1000-0020-0077	QUAD MOUNT 1" LEVELING HARDWARE KIT		15.17

SURFACE FINISH <input checked="" type="checkbox"/> UNLESS OTHERWISE SPECIFIED		UNLESS OTHERWISE SPECIFIED DIMENSIONS ARE IN INCHES		APPROVALS	DATE	 ELECTRO MECHANICAL INDUSTRIES, INC. 11230 NEESESHAW DRIVE HOUSTON, TEXAS 77065 1-800-453-0050
MATERIAL SEE PARTS LISTS		TOLERANCES		DRAWN	1/29/2024	
THIRD ANGLE PROJECTION 		.0 ±.06 .00 ±.015 .000 ±.005		CHECKER	1/29/2024	
NEXT ASSY		FRACTIONS ± 1/16 ANGLES ± .25°		ENGINEER	1/29/2024	
APPLICATIONS		HOLES: DRILLED OR PUNCHED ± 1/32 BURNED ± 1/32		PRODUCTION	1/29/2024	TITLE: <b>40' TILT TOWER W SOLAR ON BALLAST</b>
				J. KERNER		