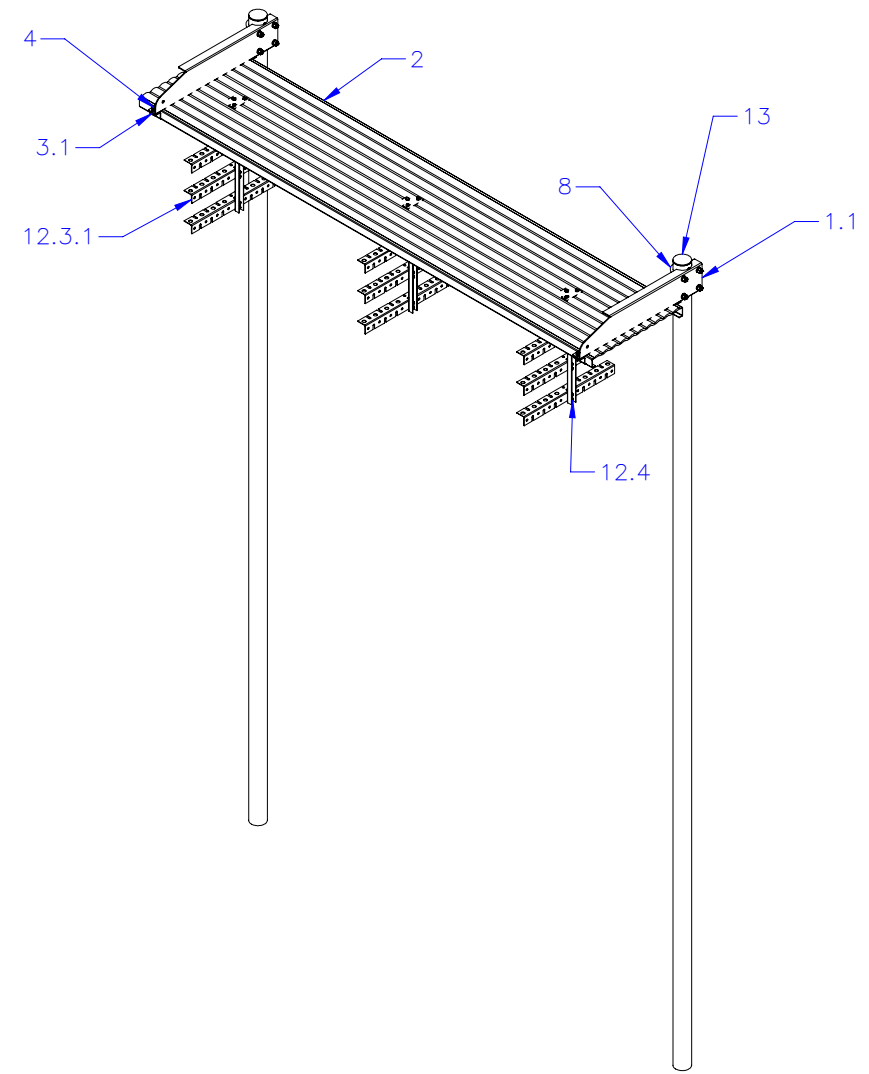
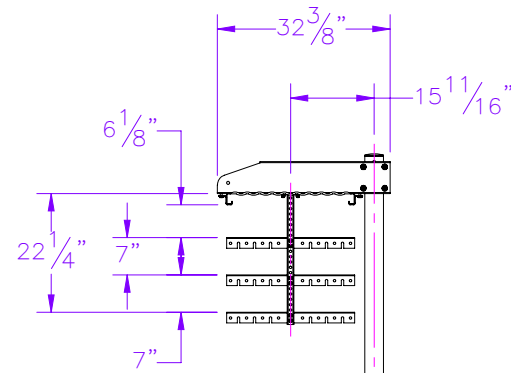
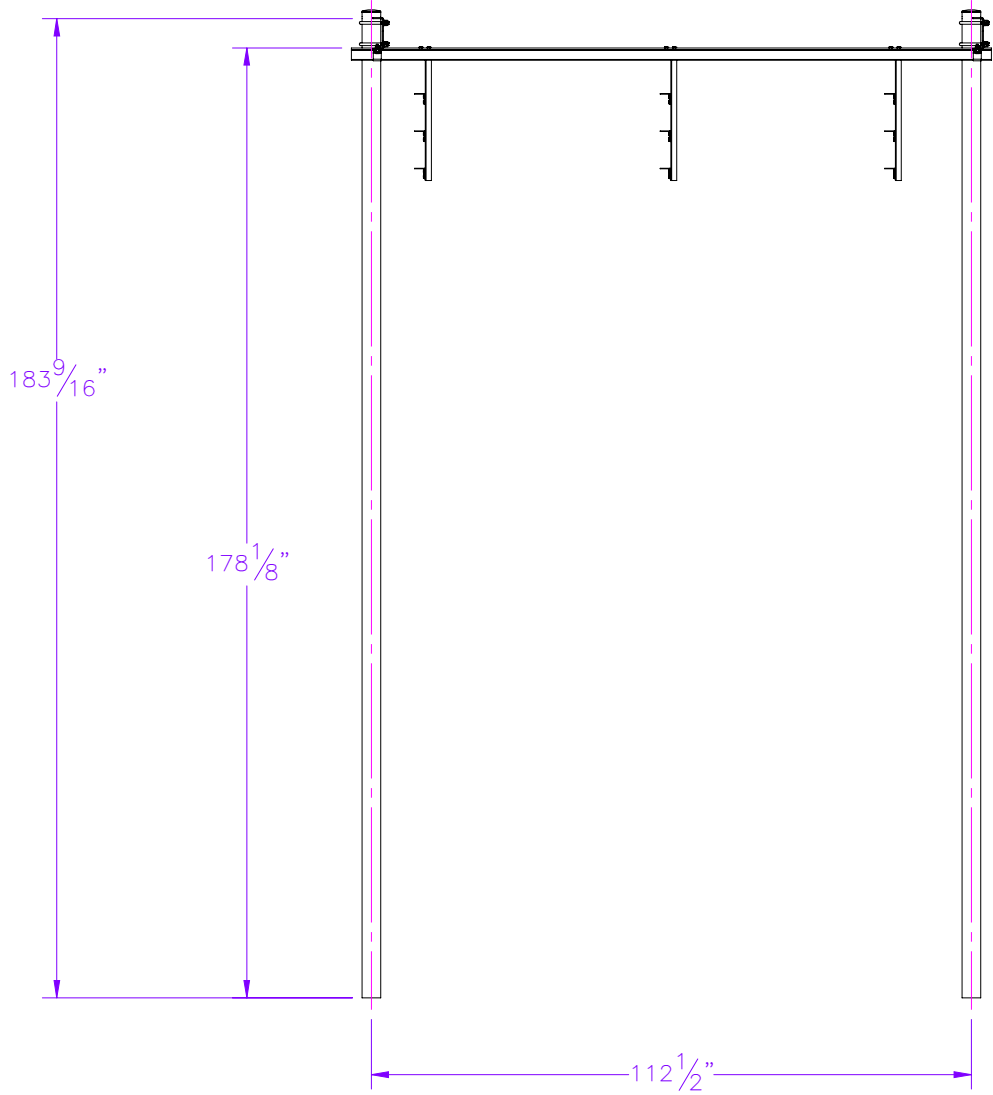
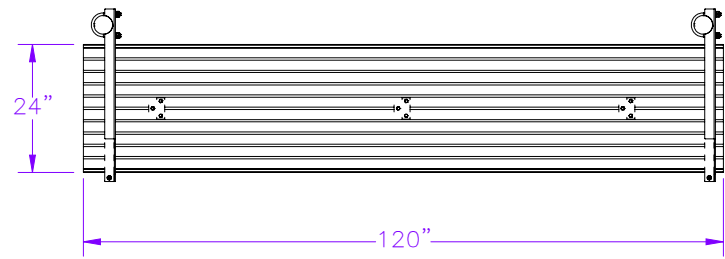

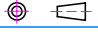


THE INFORMATION CONTAINED IN THIS DRAWING IS THE SOLE PROPERTY OF ELECTRO MECHANICAL INDUSTRIES, INC. ANY REPRODUCTION IN PART OR WHOLE WITHOUT THE WRITTEN PERMISSION OF ELECTRO MECHANICAL IND., IS PROHIBITED.



SURFACE FINISH <input checked="" type="checkbox"/> UNLESS OTHERWISE SPECIFIED		UNLESS OTHERWISE SPECIFIED DIMENSIONS ARE IN INCHES		APPROVALS	DATE	 ELECTRO MECHANICAL INDUSTRIES, INC. 11230 NEESESHAW DRIVE HOUSTON, TEXAS 77065 1-800-453-0050	
MATERIAL	SEE PARTS LIST	TOLERANCES		DRAWN		TITLE:	
THIRD ANGLE PROJECTION		.0	± .06	CHECKER		ICE BRIDGE KIT, - DIRECT BURIAL, 24" WIDE	
		.00	± .015	ENGINEER		SIZE	DRAWING NO.
		.000	± .005	PRODUCTION		B	1000-0010-0359
NEXT ASSY	USED ON	FRACTIONS	± 1/16			SCALE	WEIGHT
		ANGLES	± .25°			1:48	334.97 lbs.
APPLICATIONS		HOLES:					SHEET 1 OF 1
		DRILLED OR PUNCHED	+1/32				
		BURNED	±1/32				
							REV 0