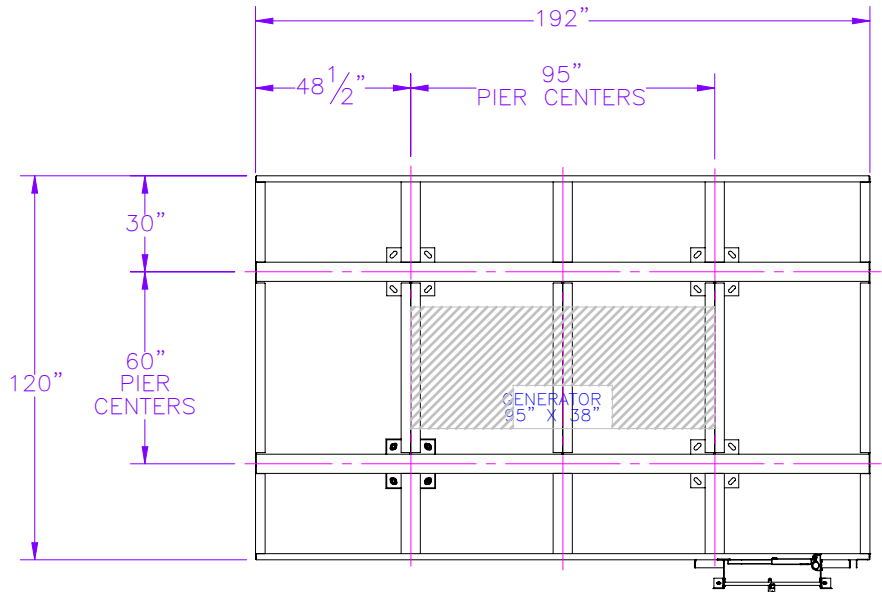
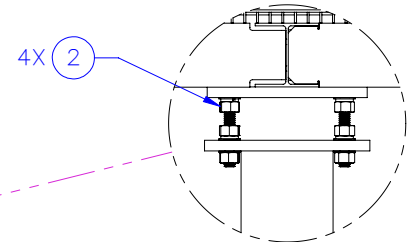
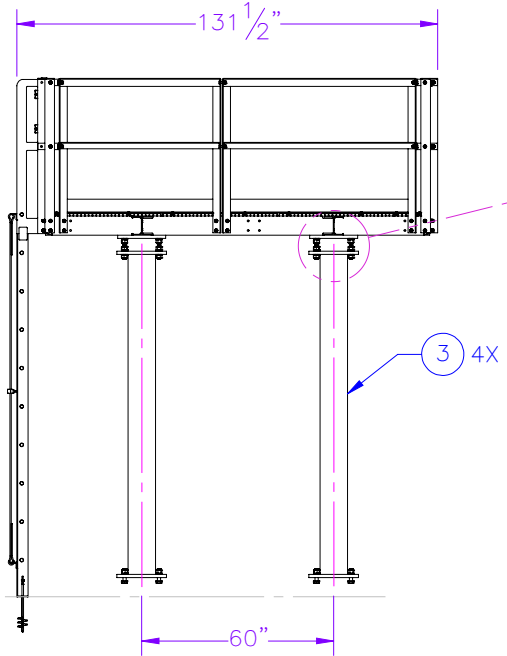
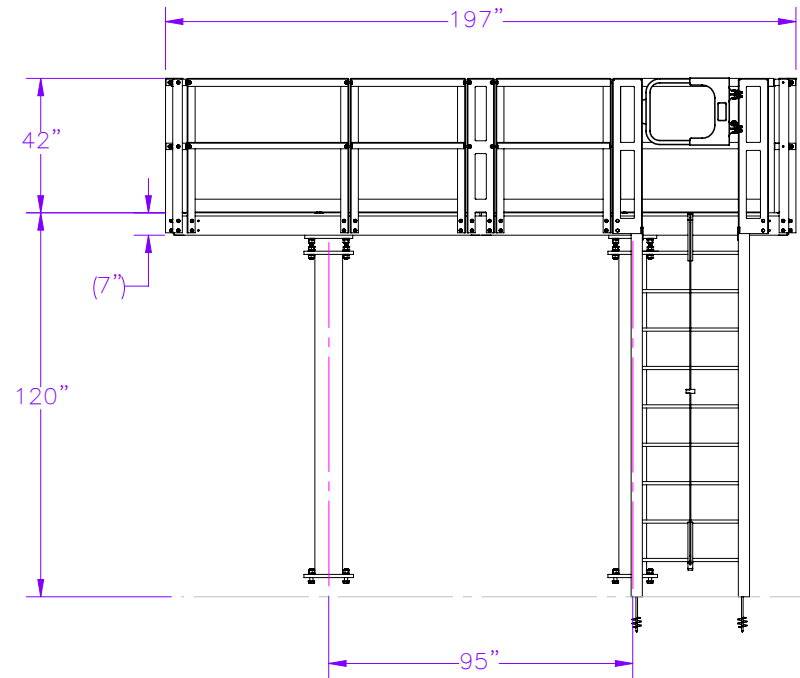
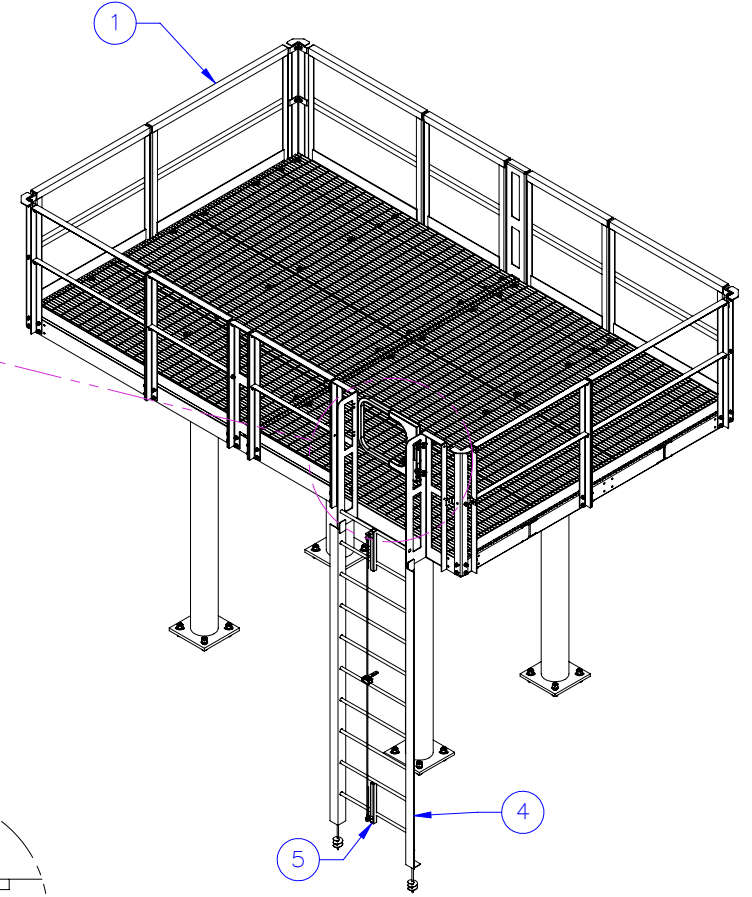
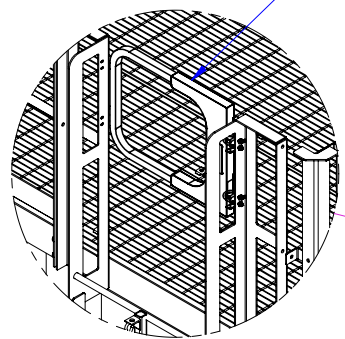


THE INFORMATION CONTAINED IN THIS DRAWING IS THE SOLE PROPERTY OF ELECTRO MECHANICAL INDUSTRIES, INC. ANY REPRODUCTION IN PART OR WHOLE WITHOUT THE WRITTEN PERMISSION OF ELECTRO MECHANICAL IND., IS PROHIBITED.


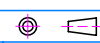


LADDER SAFETY GATE, YELLOW
(PN: 002-SFG-002)



ITEM NO.	QTY.	PART NUMBER	DESCRIPTION	LENGTH	WEIGHT
1	1	1001-0020-0180	10' X 16' GENERATOR PLATFORM		3715.69
2	4	1000-0020-0077	QUAD MOUNT 1" LEVELING HARDWARE KIT		15.17
3	4	1007-TX08-1020	8" X 8.5 FT EXTENSION	102"	360.18
4	1	1005-0420-1200	10' LADDER ASSEMBLY, 42" WIDE		327.2
5	1	002-SCS-0008	TUF TUG 25' LADDER SAFETY CLIMB SYSTEM		6.03
6	1	P-008-485	CANOPY TO GUARDRAIL CLIP		0.59

Options:	
Helical Foundation Kit	1000-0030-0252
Ice Bridge Canopy	1001-0030-0105
Crane	1000-0030-0251

SURFACE FINISH <input checked="" type="checkbox"/> UNLESS OTHERWISE SPECIFIED		UNLESS OTHERWISE SPECIFIED DIMENSIONS ARE IN INCHES		APPROVALS	DATE	 ELECTRO MECHANICAL INDUSTRIES, INC. 11230 NEESEHAW DRIVE HOUSTON, TEXAS 77065 1-800-453-0050
MATERIAL SEE PARTS LIST		TOLERANCES		DRAWN		
THIRD ANGLE PROJECTION 		.0 ±.06 .00 ±.015 .000 ±.005		F. BAYEH	4/10/2025	
NEXT ASSY USED ON		FRACTIONS ± 1/16 ANGLES: FORMED ± 1° ALL OTHERS ± .25° HOLES: DRILLED OR PUNCHED +1/32 BURNED ±1/32		CHECKER		
APPLICATIONS				ENGINEER/DISIGNER		TITLE: 10' X 16' GENERATOR PLATFORM ASSEMBLY, LADDER, 10' ELEV.
				SIZE B DRAWING NO. 1000-0010-0571-10 REV 0		SCALE: 1:60 WEIGHT: 5550.96 lbs. SHEET 1 OF 1