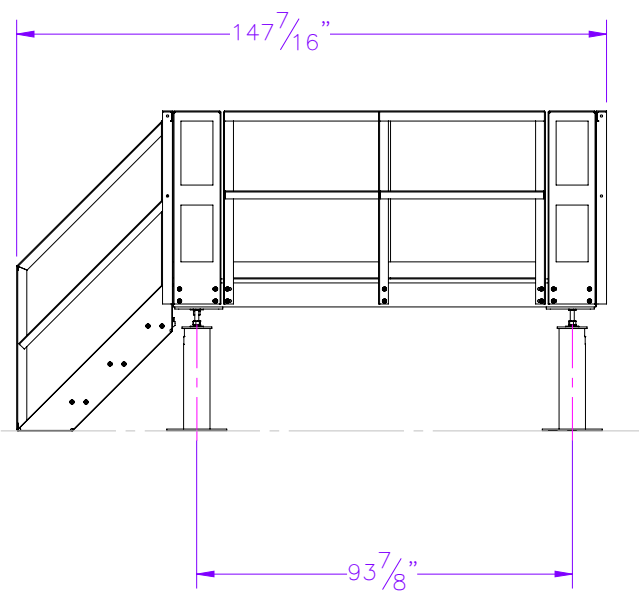
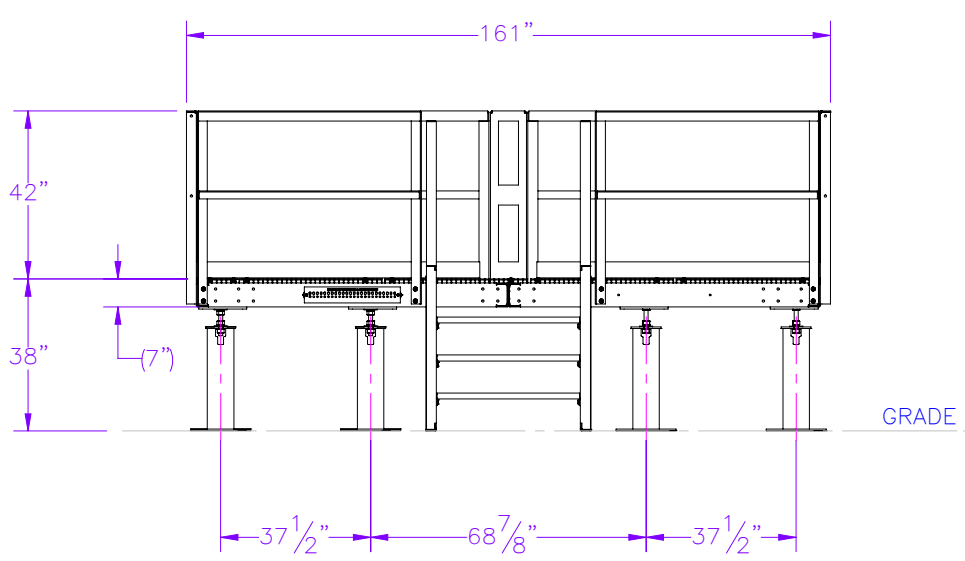
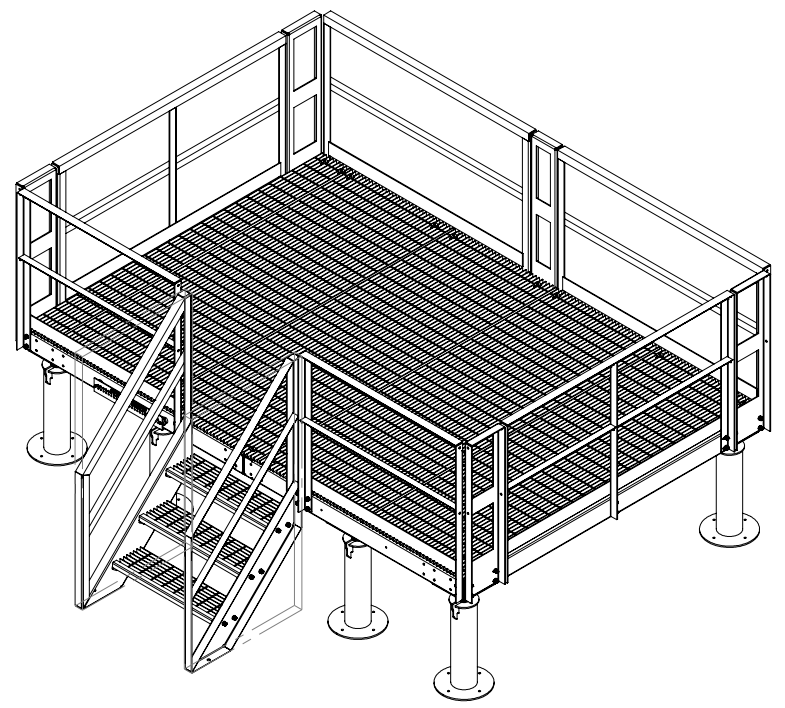
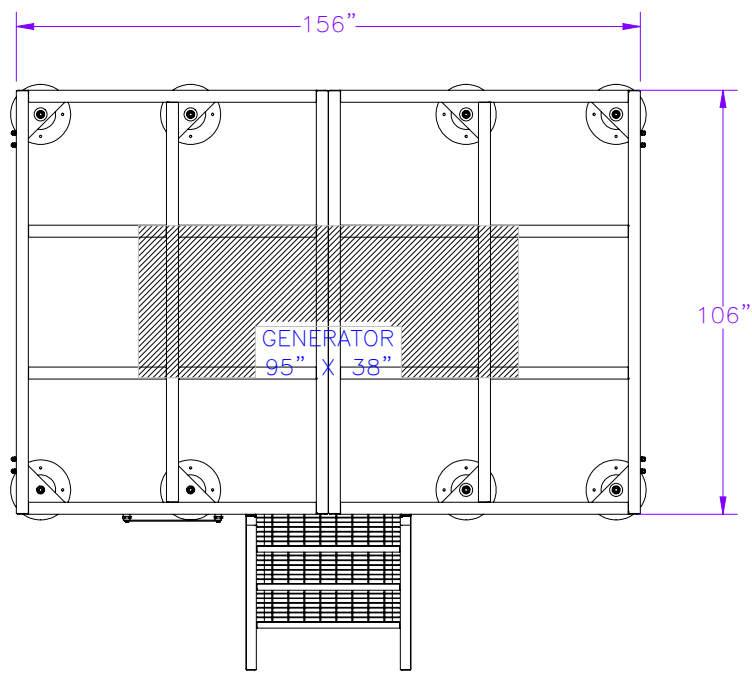



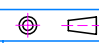
THE INFORMATION CONTAINED IN THIS DRAWING IS THE SOLE PROPERTY OF ELECTRO MECHANICAL INDUSTRIES, INC. ANY REPRODUCTION IN PART OR WHOLE WITHOUT THE WRITTEN PERMISSION OF ELECTRO MECHANICAL IND., IS PROHIBITED.

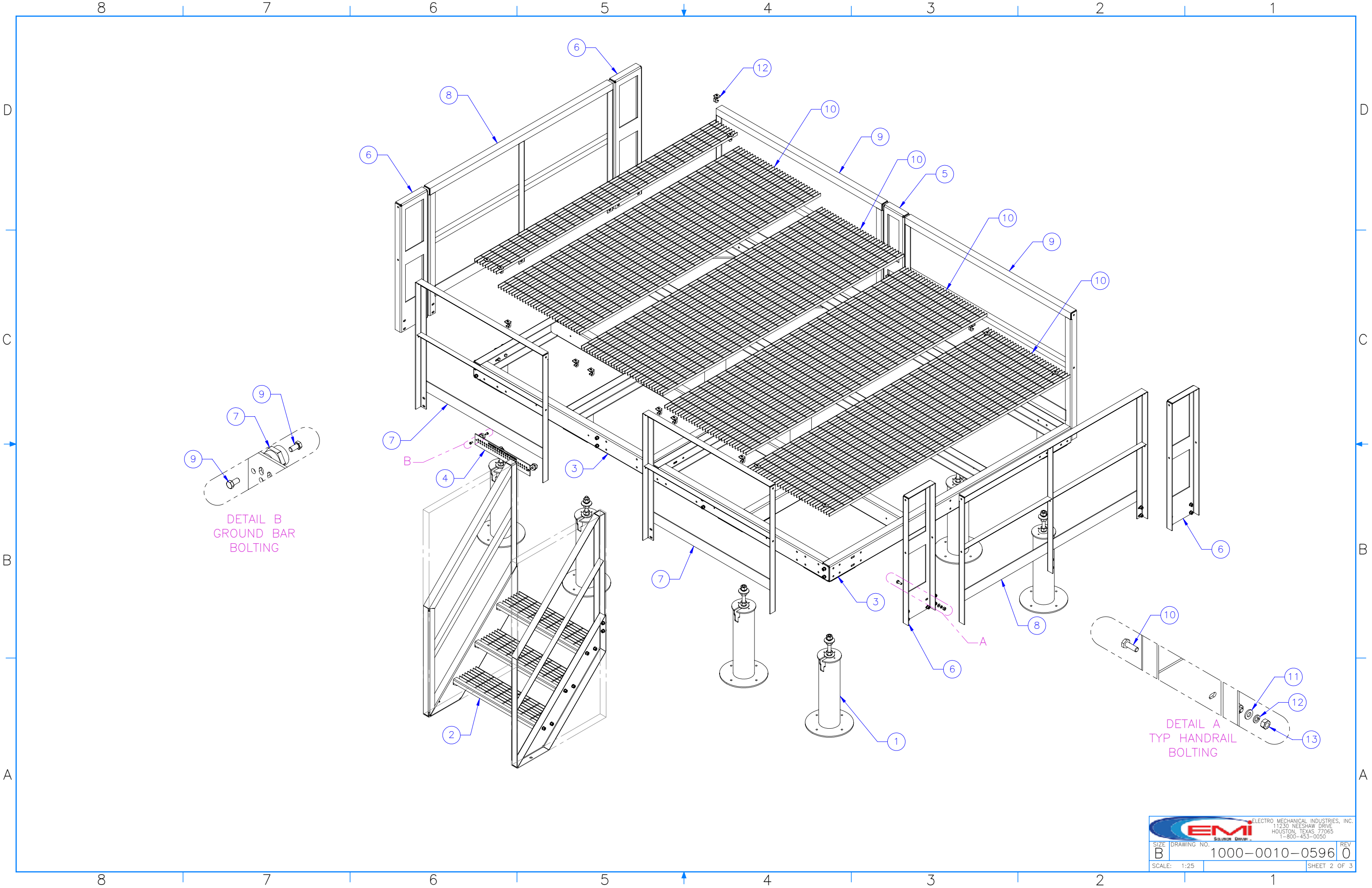


ITEM NO.	QTY.	PART NUMBER	DESCRIPTION	LENGTH	WEIGHT
1	8	1008-0010-0029	6" FOUNDATION FOOT, 26" TALL, 1" HDW		65.70
2	1	1003-0070-0003	3 TREAD STAIR ASSY (36" WIDE)		251.7
3	2	W-003-195	78" X 106" PLATFORM FRAME WELDMENT		536.92
4	1	P-002-827	24" GROUND BAR		5.91
5	1	P-008-381	CANOPY POST GUARDRAIL FILLER		35.59
6	4	P-008-382	CANOPY POST GUARDRAIL FILLER		39.87
7	2	1004-T001-0564	ANGLE GUARDRAIL, 56.5	56.5"	78.24
8	2	1004-T001-0804	ANGLE GUARDRAIL, 80.5	80.5"	114.99
9	2	1004-T001-0730	ANGLE GUARDRAIL, 73	73"	93.23
10	4	T010-0357-1054	GRATING PANEL, 1" THK SMOOTH, 31 BAR, 35.8125 WIDTH	105 1/2"	183.59
11	1	T010-0096-1054	GRATING PANEL, 1" SMOOTH, 9 BAR, 9.6875 WIDTH	105 1/2"	53.05
12	20	000-MSG-0008	GRATING CLIP, 1", GALV.		0.20
13	54	002-0BG-0010	BOLT, HH, .500-13 X 1.50, GALV, A325, PT X 1.00	1 1/2"	0.14
14	54	002-0FW-G002	WASHER, FLAT, .500, GALV, F436		0.03
15	54	002-0LW-G002	WASHER, SPLIT LOCK, .500, GALV		0.01
16	54	002-0NG-0010	NUT, HEX, .500-13, GALV, GR 2H		0.06
17	4	002-0BS-0303	BOLT, HEX HD, .375-16UNC X .75 LG SST		0.01
18	2	170-0GB-0002-B/R	INSULATOR, 3/8"-16 X 1 1/2" LG, 3/8" THREAD DEPTH, (3870)		0.12

- NOTES**
- 1 OPTIONAL PLATE PROVIDED IF REQUIRED FOR GENERATOR
 - 2 HELICAL TOP PLATE MUST BE DRIVEN TO GRADE
- TO FACILITATE HARDWARE CONNECTION, PRIOR TO HELICAL INSTALL, DIG AN 18" DIAMETER X 8" DEEP HOLE AROUND THE HELICAL LOCATION. BACKFILL WHEN CONNECTIONS ARE COMPLETE.
 - 3 WARNING: THIS PLATFORM IS DESIGNED TO SIT/INSTALLED AT THE GRADE LEVEL. DO NOT ELEVATE THE I-BEAMS ABOVE GROUND LEVEL. IF REQUIRED, ADD MORE GRAVEL AFTER THE PLATFORM INSTALLATION TO ELEVATE THE GROUND EVEN WITH THE PLATFORM GRATING


Options:
Ice Bridge Canopy 1001-0030-0107

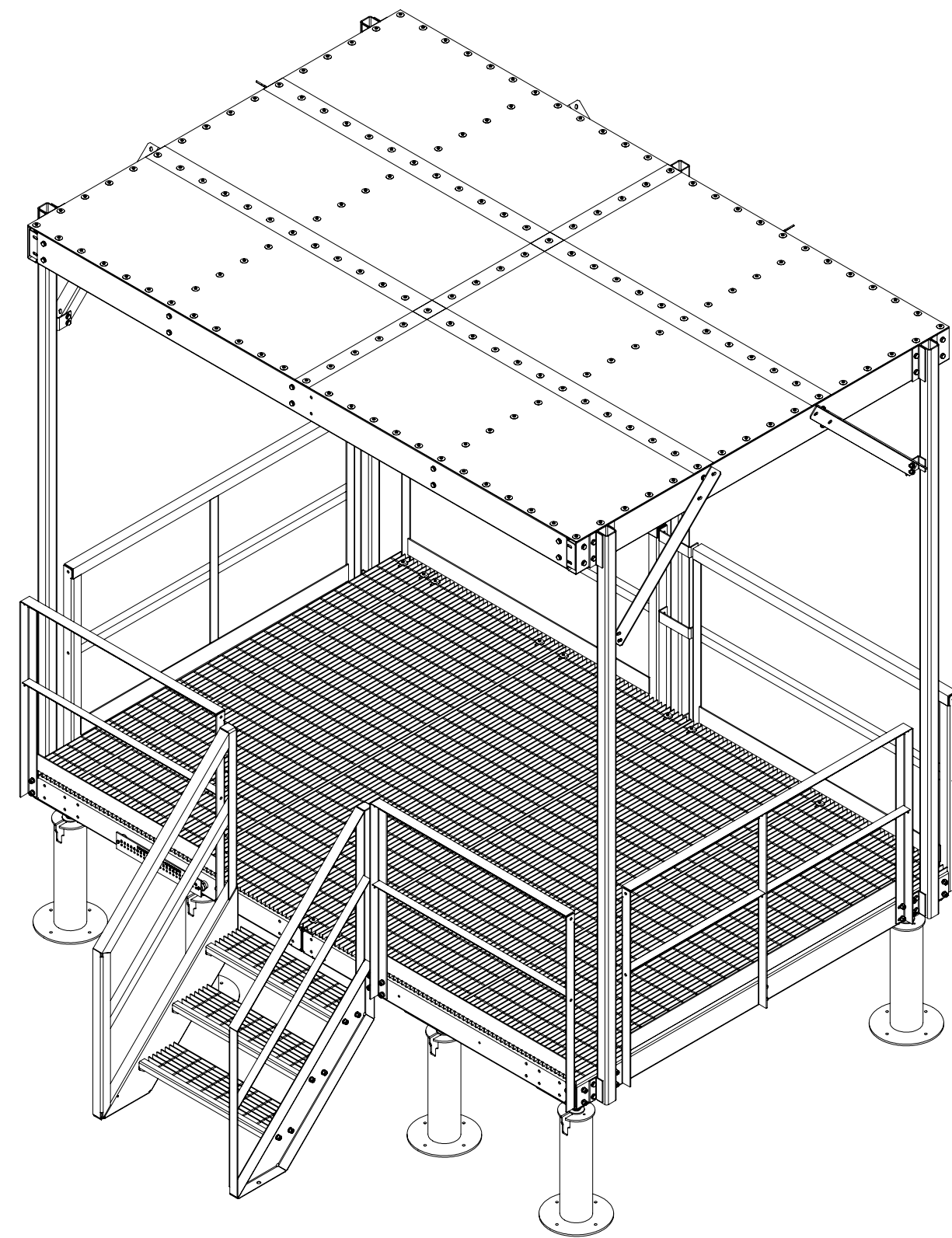
SURFACE FINISH <input checked="" type="checkbox"/> UNLESS OTHERWISE SPECIFIED		UNLESS OTHERWISE SPECIFIED DIMENSIONS ARE IN INCHES		TOLERANCES		APPROVALS		DATE		 ELECTRO MECHANICAL INDUSTRIES, INC. 11230 NEESESHAW DRIVE HOUSTON, TEXAS 77065 1-800-453-0050	
MATERIAL SEE PARTS LIST		.0 ±.06 .00 ±.015 .000 ±.005		FRACTIONS ±1/16		DRAWN R. Lawler		12/11/2025		TITLE: 156" X 106" 3' TALL GENSET PLATFORM	
THIRD ANGLE PROJECTION 		ANGLES: ±1° ALL OTHERS ±.25°		HOLES: DRILLED OR PUNCHED ±1/32 BURNED ±1/32		CHECKER				SIZE B	
NEXT ASSY		USED ON		APPLICATIONS		ENGINEER/DESIGNER				DRAWING NO. 1000-0010-0596	
										REV 0	
										SCALE: 1:48 WEIGHT: 3429.91 lbs. SHEET 1 OF 3	




DETAIL B
GROUND BAR
BOLTING

DETAIL A
TYP HANDRAIL
BOLTING

		ELECTRO MECHANICAL INDUSTRIES, INC. 11230 NEESHAW DRIVE HOUSTON, TEXAS 77065 1-800-453-0050	
SIZE	DRAWING NO.	REV	
B	1000-0010-0596	0	
SCALE: 1:25	SHEET 2 OF 3		



SHOWN WITH OPTIONAL CANOPY

		ELECTRO MECHANICAL INDUSTRIES, INC. 11230 NEESHAW DRIVE HOUSTON, TEXAS 77065 1-800-453-0050	
SIZE	DRAWING NO.	REV	
B	1000-0010-0596	0	
SCALE: 1:30		SHEET 3 OF 3	