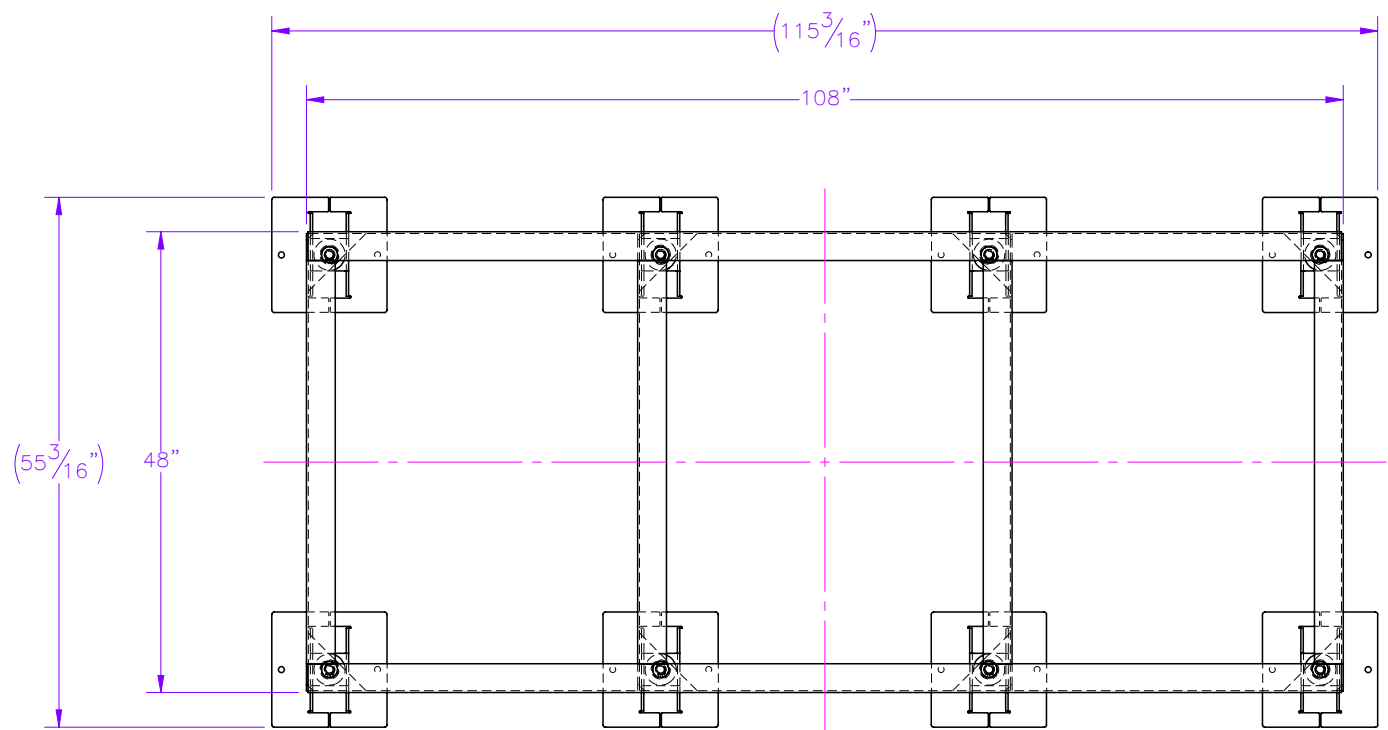
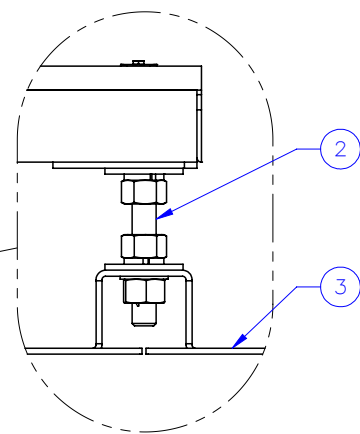
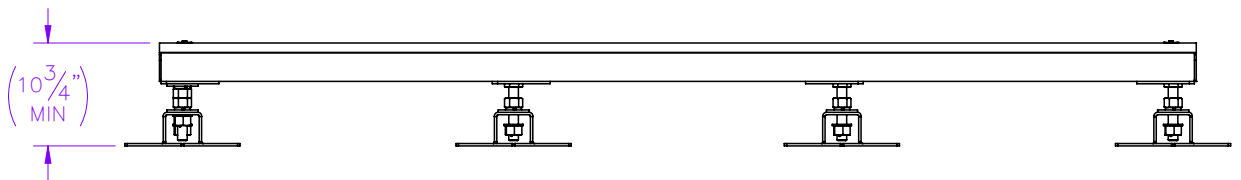
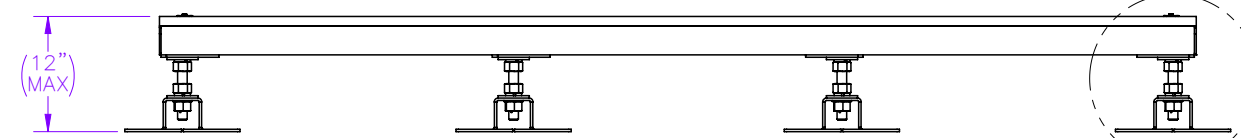
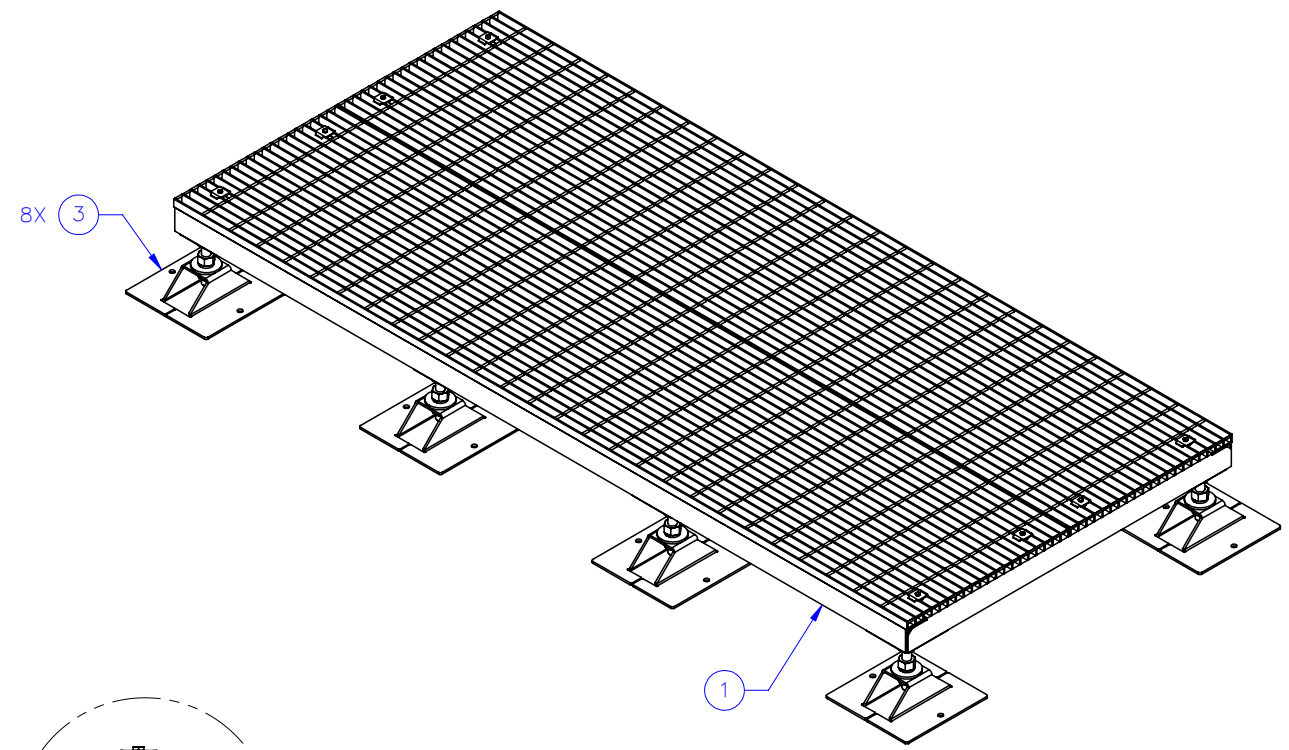


THE INFORMATION CONTAINED IN THIS DRAWING IS THE SOLE PROPERTY OF ELECTRO MECHANICAL INDUSTRIES, INC. ANY REPRODUCTION IN PART OR WHOLE WITHOUT THE WRITTEN PERMISSION OF ELECTRO MECHANICAL IND., IS PROHIBITED.

REVISIONS					
REV.	DCN #	DESCRIPTION	DATE	BY	APPROVED
5	XXXXX	ADDED NOTES, REPLACED P-004-838 WITH P-004-724	11/21/2025	RHA	FJB



SHOWN WITHOUT GRATING



NOTES

- 1 OPTIONAL PLATE PROVIDED IF REQUIRED FOR GENERATOR
- 2 HELICAL TOP PLATE MUST BE DRIVEN TO GRADE
- TO FACILITATE HARDWARE CONNECTION, PRIOR TO HELICAL INSTALL, DIG AN 18" DIAMETER X 8" DEEP HOLE AROUND THE HELICAL LOCATION. BACKFILL WHEN CONNECTIONS ARE COMPLETE.
- 3 WARNING: THIS PLATFORM IS DESIGNED TO SIT/INSTALLED AT THE GRADE LEVEL. DO NOT ELEVATE THE I-BEAMS ABOVE GROUND LEVEL. IF REQUIRED, ADD MORE GRAVEL AFTER THE PLATFORM INSTALLATION TO ELEVATE THE GROUND EVEN WITH THE PLATFORM GRATING

Options:	
Ice Bridge Canopy	1001-0030-0106
Ice Bridge with Helical Kit	1000-0000-0276

ITEM NO.	QTY REQD	PART NUMBER	DESCRIPTION	LENGTH	WEIGHT
1	1	1001-0020-0112	4' X 9' GENERATOR PLATFORM		392.9
2	8	1000-0020-0076	SINGLE MOUNT LEVELING HARDWARE KIT		5.083
3	8	P-004-724	PLATFORM FOOT, FORMED		11.139
4	1	P-006-606	RODENT GUARD	36"	2.720

SURFACE FINISH <input checked="" type="checkbox"/> UNLESS OTHERWISE SPECIFIED		UNLESS OTHERWISE SPECIFIED DIMENSIONS ARE IN INCHES		APPROVALS		DATE		ELECTRO MECHANICAL INDUSTRIES, INC. 11230 NEESESHAW DRIVE HOUSTON, TEXAS 77065 1-800-453-0050	
MATERIAL SEE PARTS LIST		TOLERANCES		DRAWN		1/17/2019			
THIRD ANGLE PROJECTION		.0 ±.06 .00 ±.015 .000 ±.005		CHECKER		1/17/2019			
NEXT ASSY		FRACTIONS ± 1/16 ANGLES ± .25°		ENGINEER		1/17/2019			
USED ON		HOLES:		PRODUCTION		1/18/2019		TITLE: <h3 style="text-align: center;">4' X 9' GENERATOR PLATFORM</h3>	
APPLICATIONS		DRILLED OR PUNCHED ±1/32 BURNED ±1/32		J.K.S.					
				SCALE: 1:20		WEIGHT: 525.4 lbs.		SHEET 1 OF 1	

SIZE	DRAWING NO.	REV
B	1001-0020-0062	5