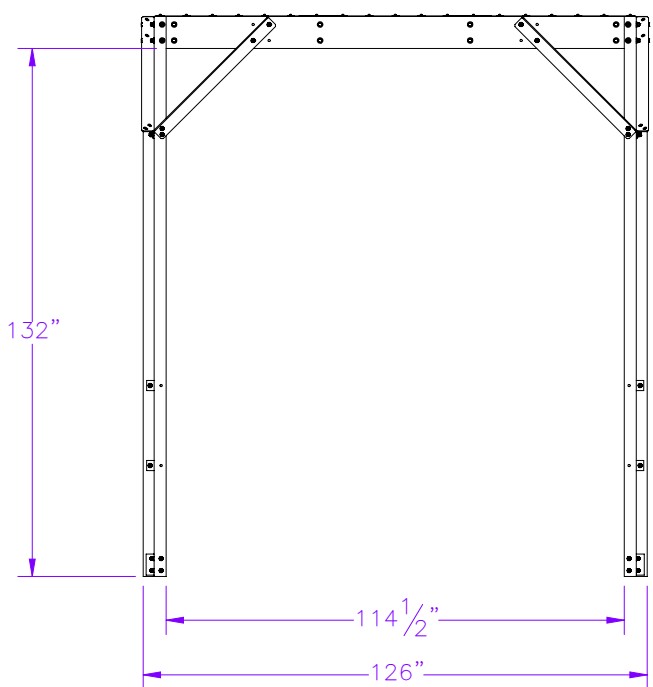
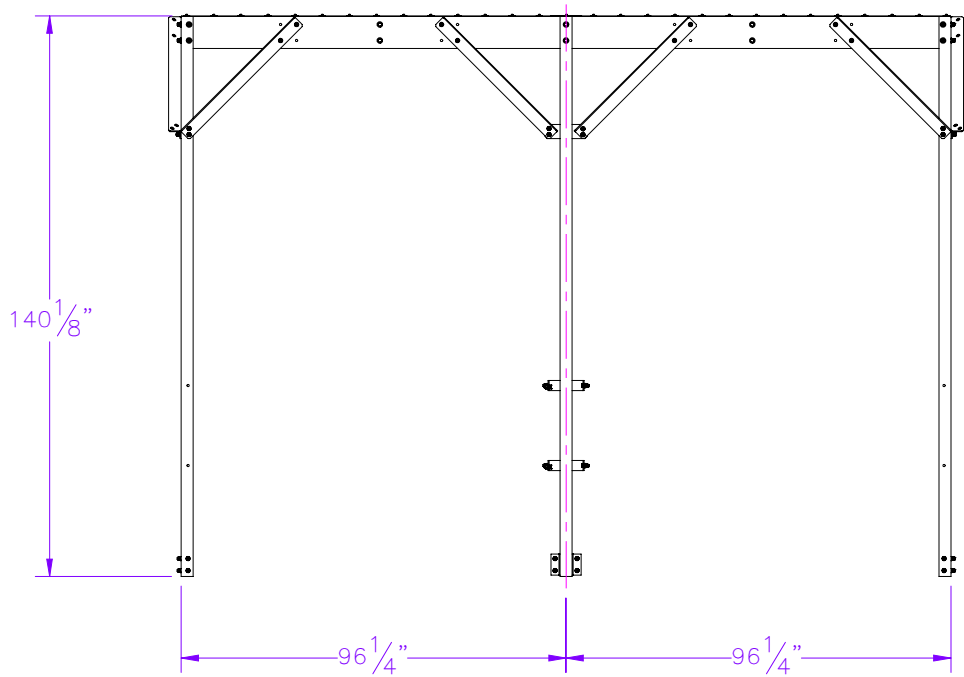
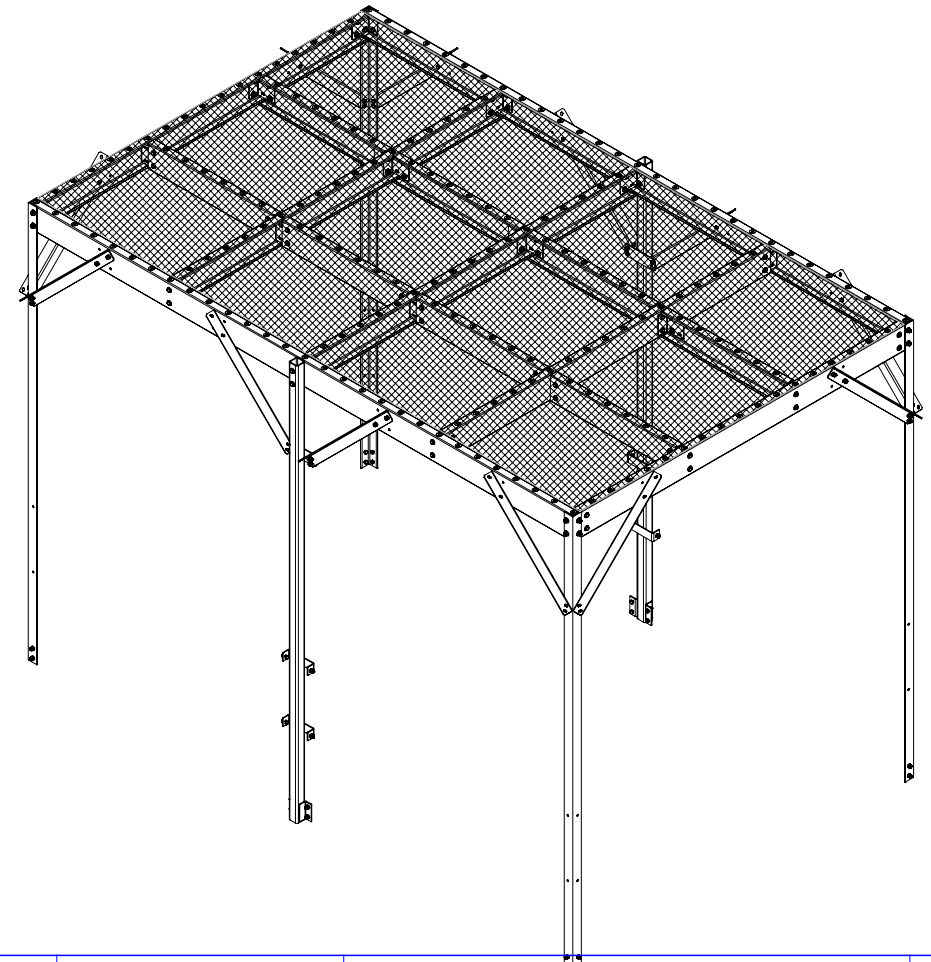
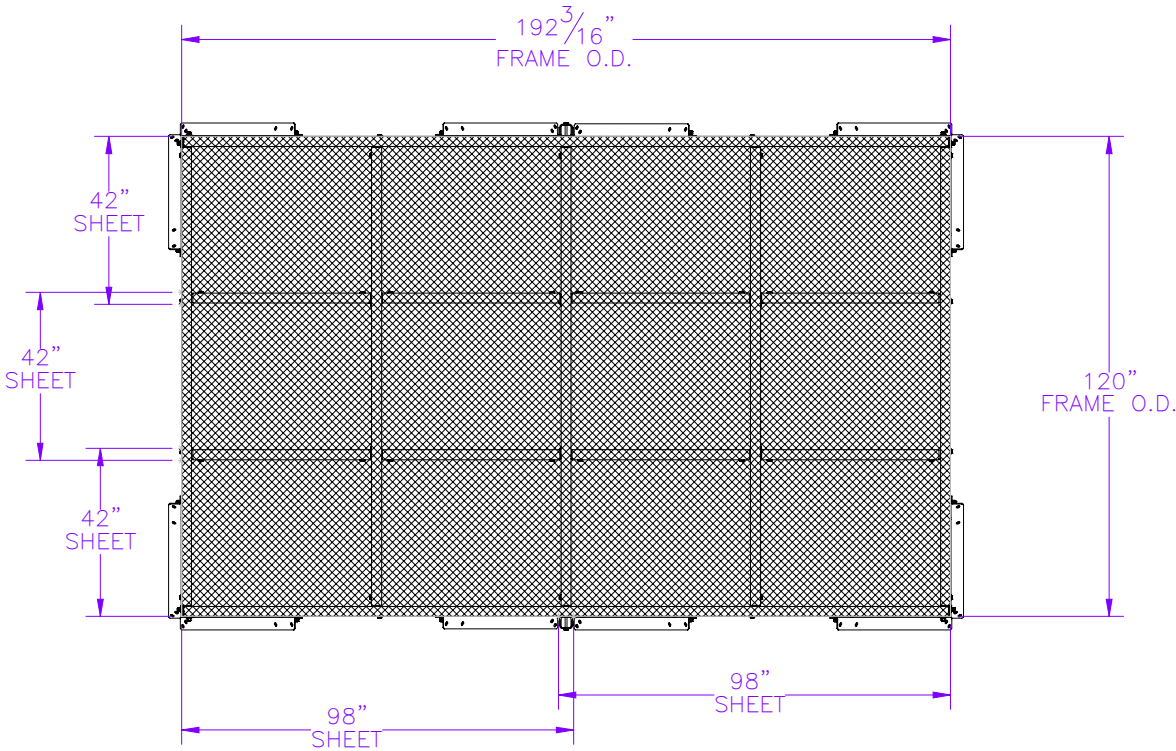

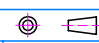
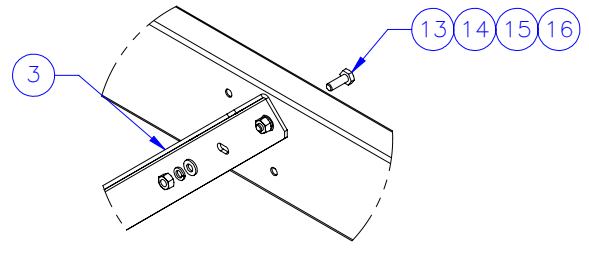


THE INFORMATION CONTAINED IN THIS DRAWING IS THE SOLE PROPERTY OF ELECTRO MECHANICAL INDUSTRIES, INC. ANY REPRODUCTION IN PART OR WHOLE WITHOUT THE WRITTEN PERMISSION OF ELECTRO MECHANICAL IND., IS PROHIBITED.

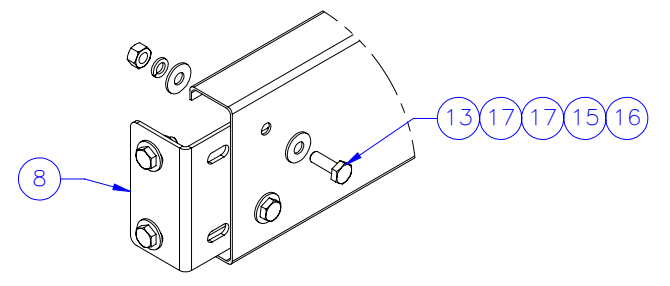


ITEM NO.	QTY REQD	PART NUMBER	DESCRIPTION	LENGTH	WEIGHT
1	2	W-003-188	ICE BRIDGE POST WELDMENT		112.77
2	4	P-008-395	CANOPY LEG		56.55
3	12	P-008-394	KNEE BRACE		16.54
4	2	P-008-365	C PURLIN, 122.875"	114 1/2"	47.44
5	2	P-008-366	C PURLIN, 189.375"	191 3/8"	79.30
6	3	P-008-367	C PURLIN, 117.375"	114 1/2"	47.50
7	8	P-008-368	C PURLIN, 45.0625"	44 3/8"	18.40
8	24	P-002-525	ROOF INSIDE PURLIN CLIP		2.77
9	2	P-008-364	CENTER ROOF INSIDE PURLIN CLIP		2.60
10	6	EM2-048-F09J	EM SHEET, 0.75 #9; A1011/A1008 STD/FLT; 4'X10'	100"	169.63
11	191	002-0SG-0007	#12 X 1 1/4" LG., SELF DRILLING SCREW W. WASHER, GALV.		0.02
12	191	002-0FW-Z022	WASHER, FLAT, .3125 X 1.5 O.D., ZINC FENDER		
13	176	002-0BG-0010	BOLT, HH, .500-13 X 1.50, GALV, A325, PT X 1.00	1 1/2"	0.14
14	80	002-0FW-G002	WASHER, FLAT, .500, GALV, F436		0.03
15	180	002-0LW-G002	WASHER, SPLIT LOCK, .500, GALV		0.014
16	180	002-0NG-0010	NUT, HEX, .500-13, GALV, GR 2H		0.06
17	200	002-0FW-G020	WASHER, FLAT, .500, GALV, USS		0.04
18	4	002-0BG-0011	BOLT, HH, .500-13 X 4.50, GALV, A325, PT X 1.00	4 1/2"	0.31

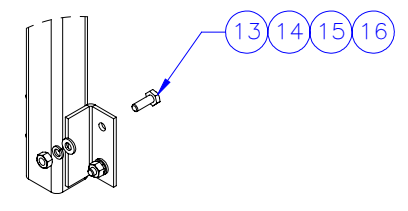
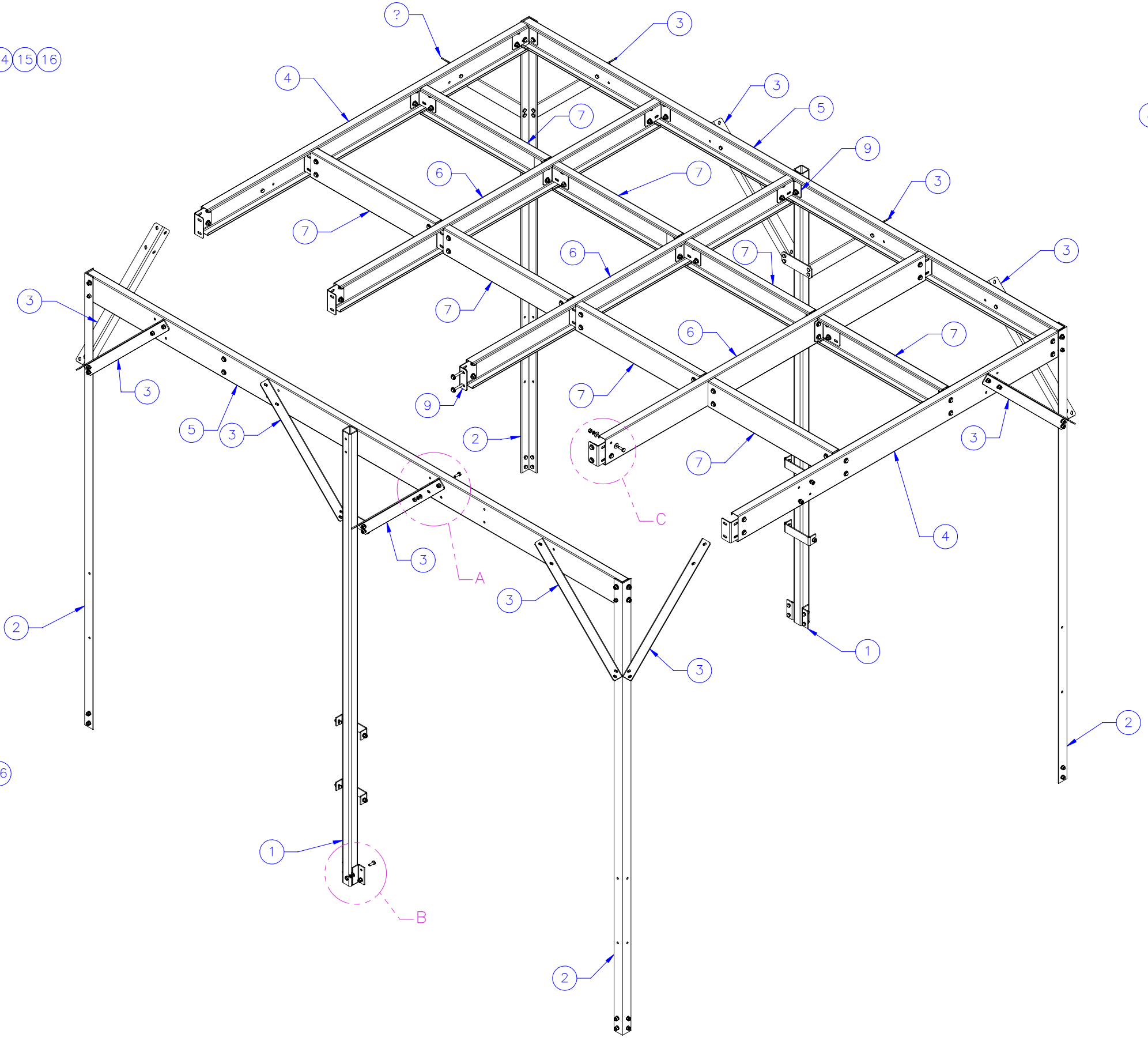
SURFACE FINISH <input checked="" type="checkbox"/> UNLESS OTHERWISE SPECIFIED		UNLESS OTHERWISE SPECIFIED DIMENSIONS ARE IN INCHES		APPROVALS	DATE	 ELECTRO MECHANICAL INDUSTRIES, INC. 11230 NEESESHAW DRIVE HOUSTON, TEXAS 77065 1-800-453-0050
MATERIAL SEE PARTS LIST		TOLERANCES		DRAWN		
THIRD ANGLE PROJECTION 		.0 ±.06 .00 ±.015 .000 ±.005 FRACTIONS ±1/16 ANGLES: FORMED ±1° ALL OTHERS ±.25° HOLES: DRILLED OR PUNCHED +1/32 BURNED ±1/32		F. BAYEH	9/2/2025	TITLE: 10'X16' ICE BRIDGE
NEXT ASSY	USED ON	APPLICATIONS		CHECKER		ENGINEER/DESIGNER
				SIZE B DRAWING NO. 1001-0030-0105 REV 0 SCALE: 1:48 WEIGHT: 2341.71 lbs. SHEET 1 OF 4		




DETAIL A
TYP KNEE BRACE HDW
TOP AND BOTTOM

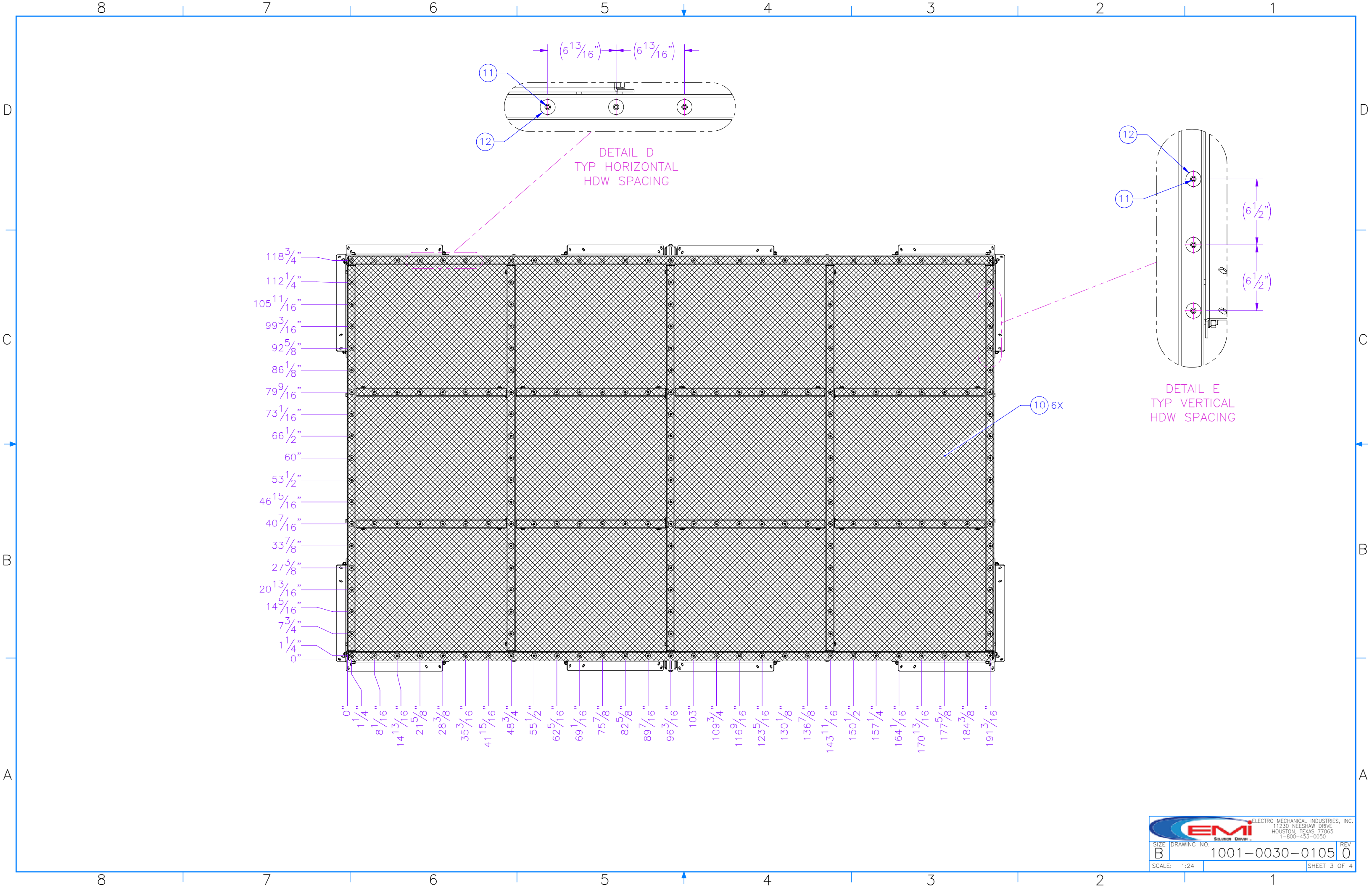


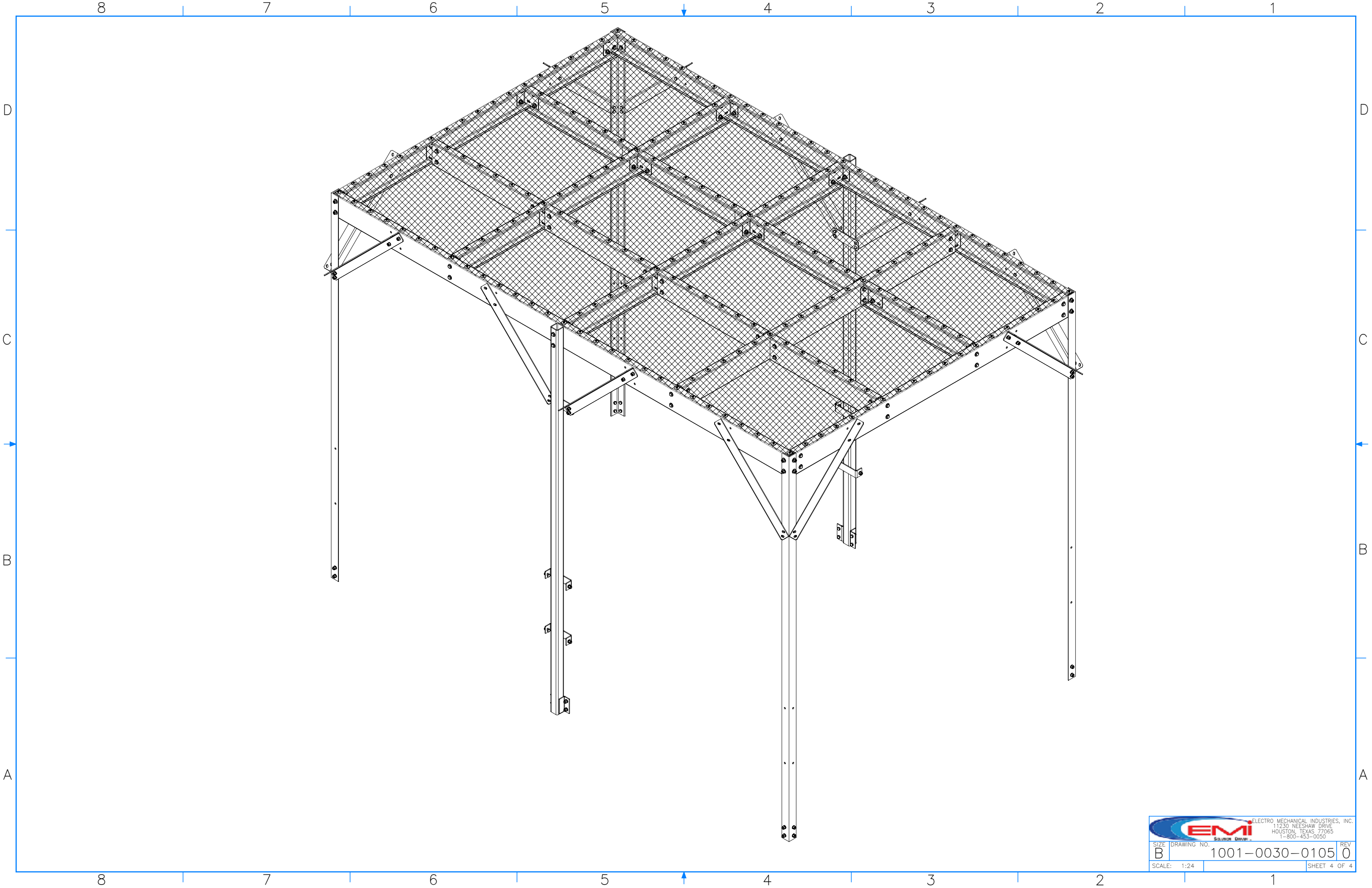
DETAIL C
TYP PURLIN TO
PURLIN CONNECTION HDW



DETAIL B
TYP CANOPY POST
TO PLATFORM
CONNECTION HDW

		ELECTRO MECHANICAL INDUSTRIES, INC. 11230 NEESHAW DRIVE HOUSTON, TEXAS 77065 1-800-453-0050	
SIZE	DRAWING NO.	REV	
B	1001-0030-0105	0	
SCALE: 1:28			SHEET 2 OF 4





		ELECTRO MECHANICAL INDUSTRIES, INC. 11230 NEESHAW DRIVE HOUSTON, TEXAS 77065 1-800-453-0050	
SIZE	DRAWING NO.	REV	
B	1001-0030-0105	0	
SCALE:	1:24	SHEET 4 OF 4	