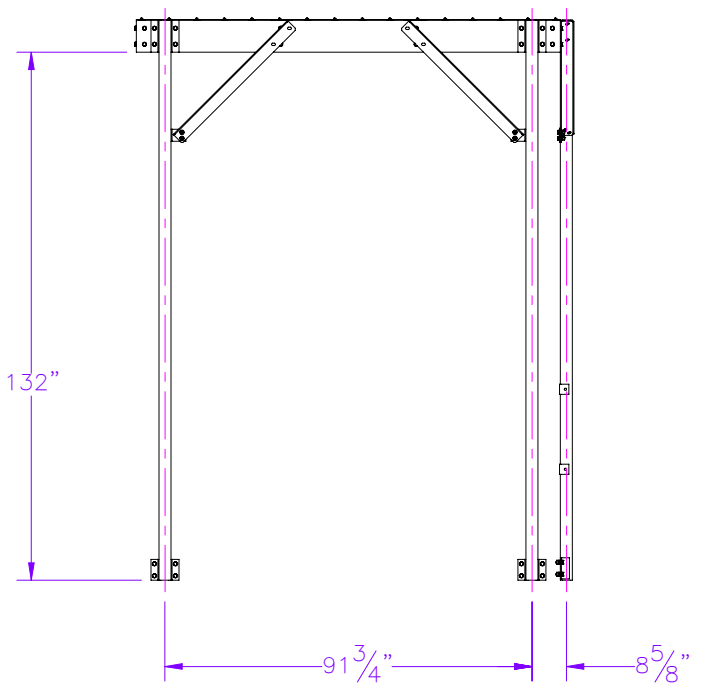
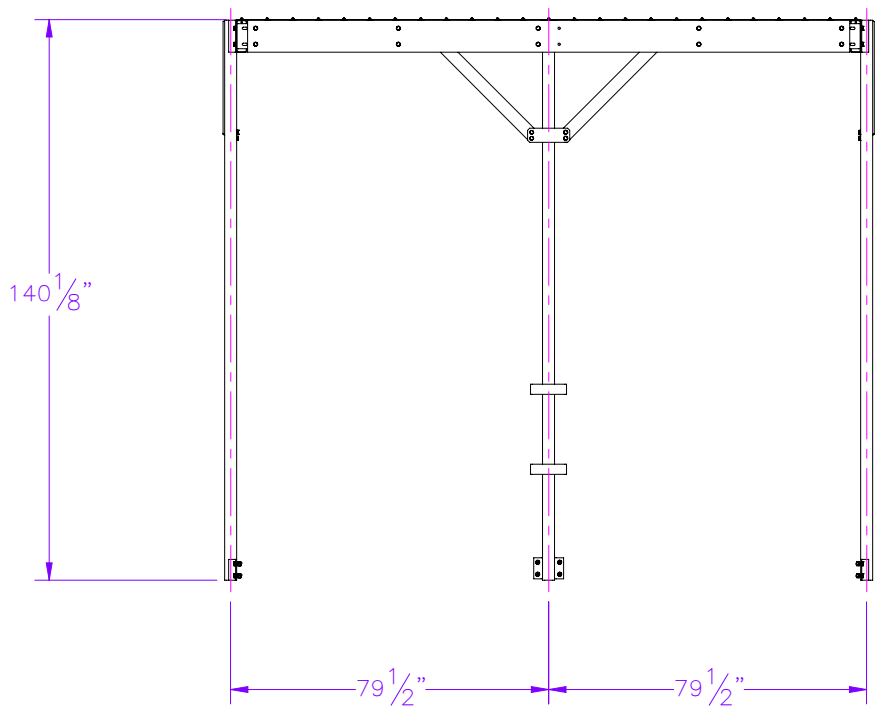
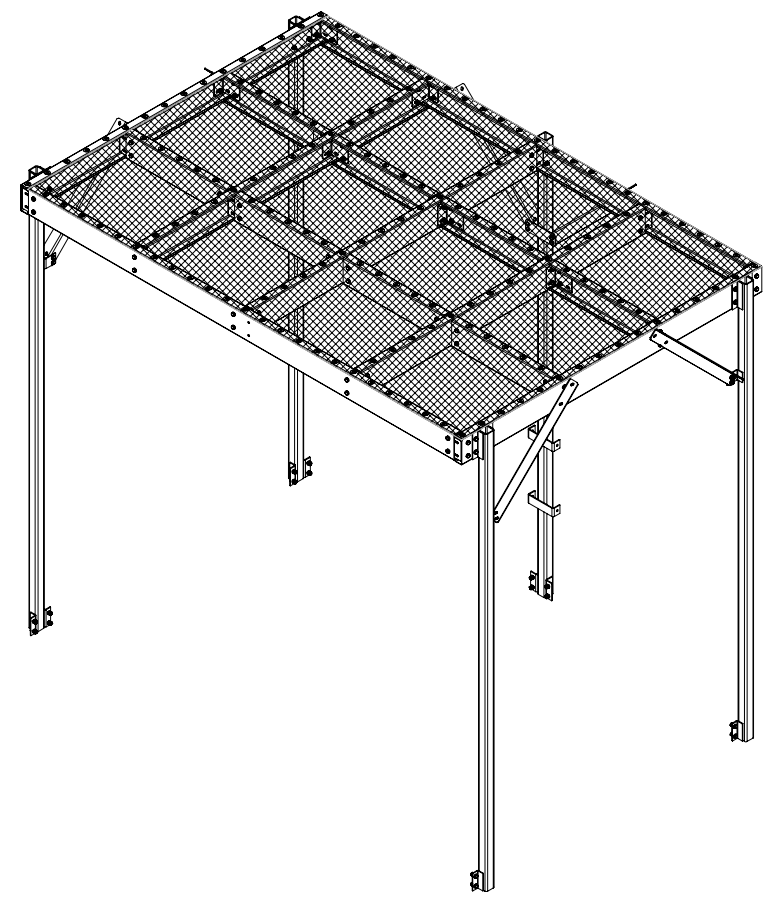
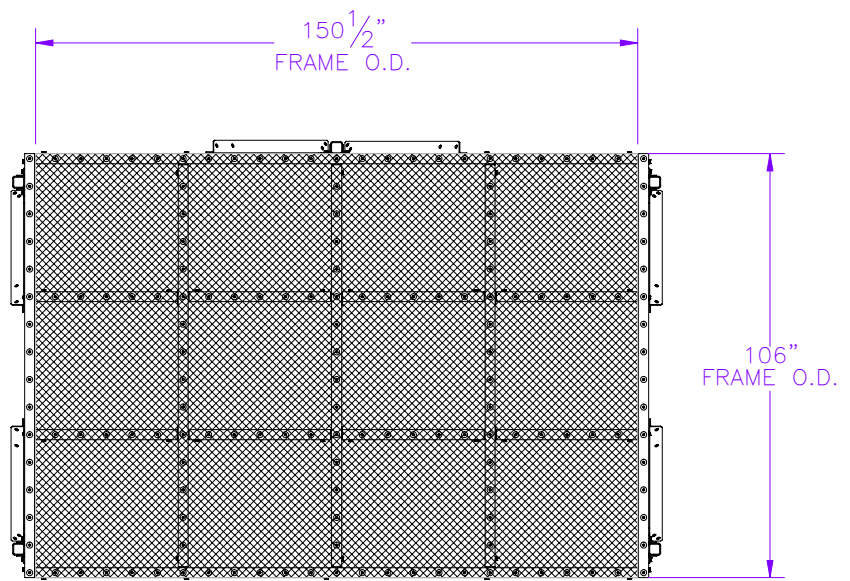

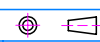
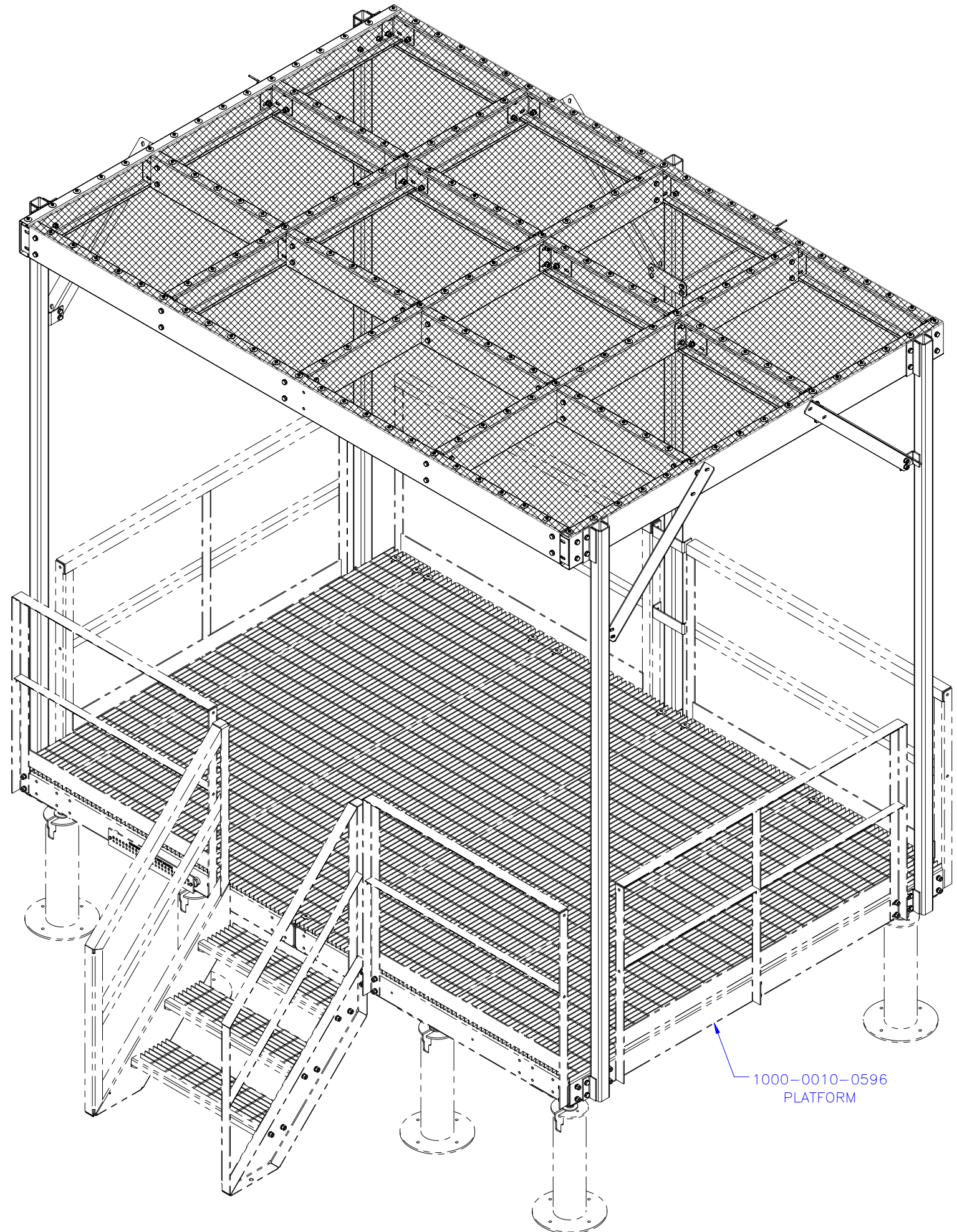


THE INFORMATION CONTAINED IN THIS DRAWING IS THE SOLE PROPERTY OF ELECTRO MECHANICAL INDUSTRIES, INC. ANY REPRODUCTION IN PART OR WHOLE WITHOUT THE WRITTEN PERMISSION OF ELECTRO MECHANICAL IND., IS PROHIBITED.




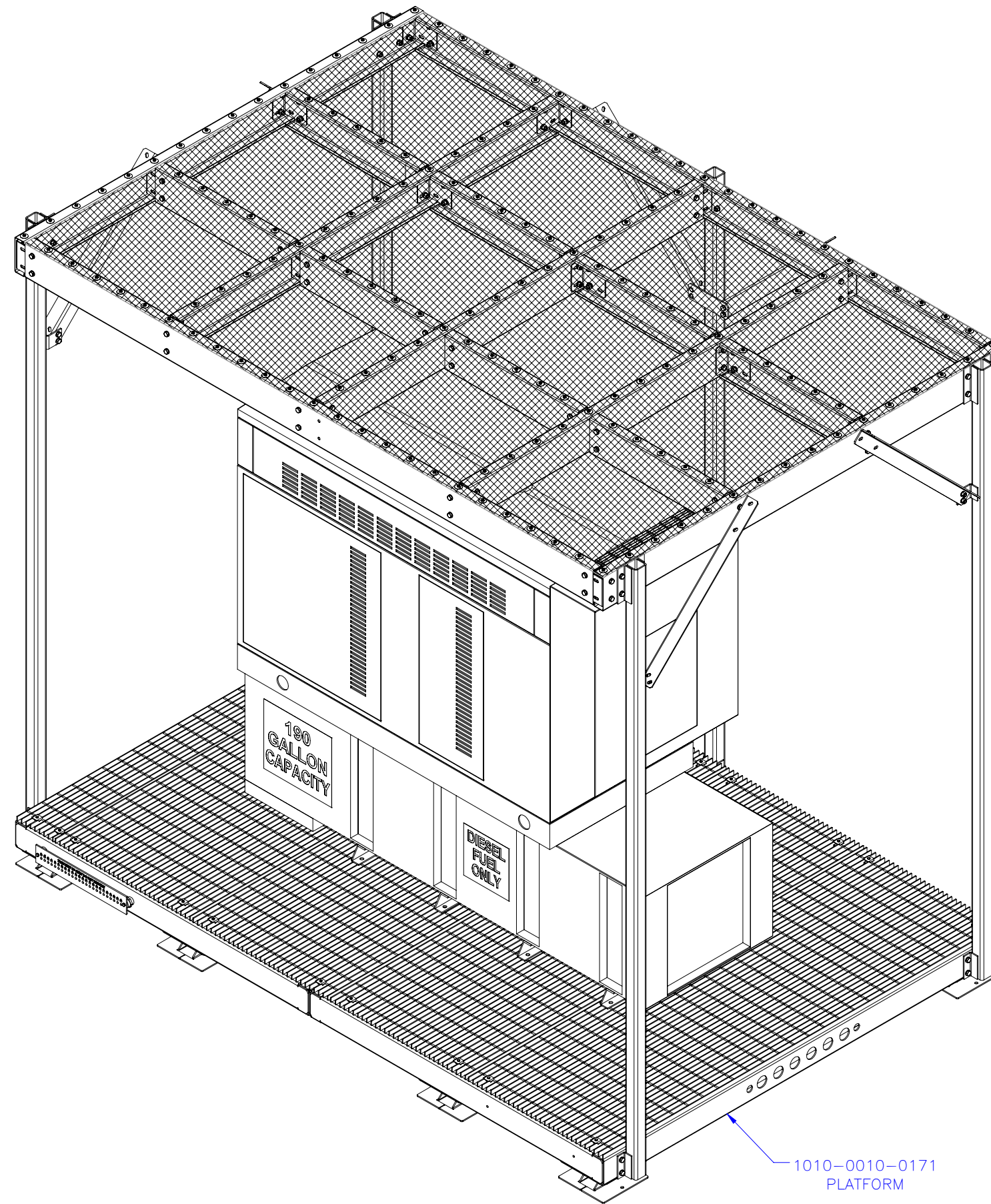
ITEM NO.	QTY REQD	PART NUMBER	DESCRIPTION	LENGTH	WEIGHT
1	1	P-008-364	CENTER ROOF INSIDE PURLIN CLIP		2.60
2	1	W-003-188	ICE BRIDGE POST WELDMENT		112.8
3	2	W-003-204	ICE BRIDGE POST WELDMENT, LEFT CORNER		110.6
4	2	W-003-205	ICE BRIDGE POST WELDMENT, RIGHT CORNER		110.6
5	2	P-008-378	C PURLIN, 201.375"	150 1/2"	62.42
6	8	P-008-380	C PURLIN, 46.75"	35 3/8"	14.66
7	3	P-008-379	C PURLIN, 125.50"	100 1/2"	41.68
8	2	P-008-397	C PURLIN, 106"	106"	43.91
9	25	P-002-525	ROOF INSIDE PURLIN CLIP		2.77
10	6	P-008-394	KNEE BRACE		16.54
11	6	1001-0030-0107_1	EM SHEET, 0.75 #9; A1011/A1008 STD/FLT; 4' X 8'	80"	110.26
12	160	002-0SG-0007	#12 X 1 1/4" LG., SELF DRILLING SCREW W. WASHER, GALV.		0.02
13	160	002-0FW-Z022	WASHER, FLAT, .3125 X 1.5 O.D., ZINC FENDER		
14	142	002-0BG-0010	BOLT, HH, .500-13 X 1.50, GALV, A325, PT X 1.00	1 1/2"	0.14
15	284	002-0FW-G002	WASHER, FLAT, .500, GALV, F436		0.03
16	142	002-0LW-G002	WASHER, SPLIT LOCK, .500, GALV		0.01
17	142	002-0NG-0010	NUT, HEX, .500-13, GALV, GR 2H		0.06

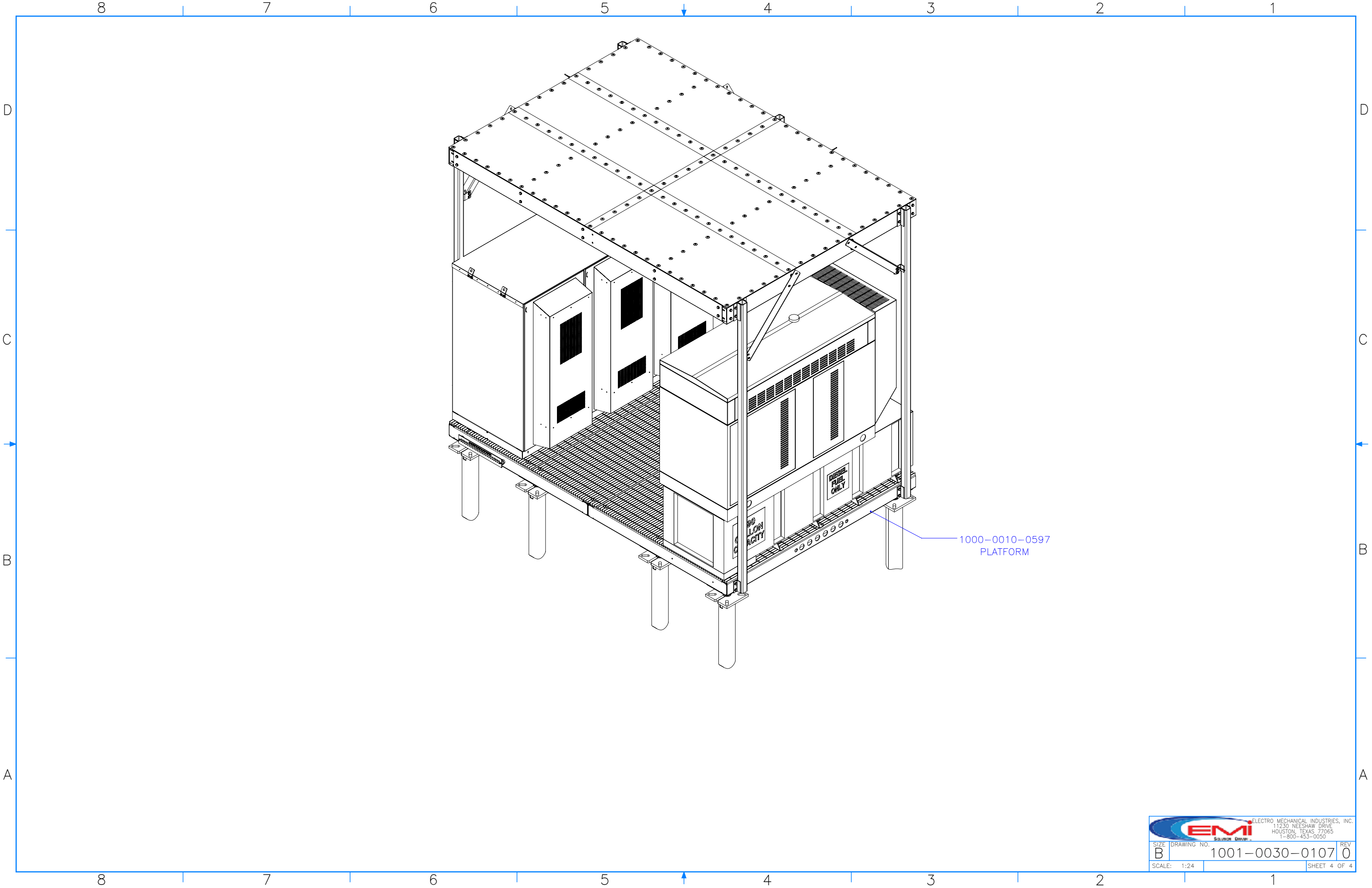
SURFACE FINISH <input checked="" type="checkbox"/> UNLESS OTHERWISE SPECIFIED		UNLESS OTHERWISE SPECIFIED DIMENSIONS ARE IN INCHES		APPROVALS	DATE	 <p>ELECTRO MECHANICAL INDUSTRIES, INC. 11230 NEESESHAW DRIVE HOUSTON, TEXAS 77065 1-800-453-0050</p> <p>TITLE: <b>BOLT TOGETHER CANOPY W/EXPANDED METAL ROOF 13' x 9'</b></p>
MATERIAL	SEE PARTS LIST	TOLERANCES		DRAWN		
THIRD ANGLE PROJECTION		.0 ±.06 .00 ±.015 .000 ±.005	FRACTIONS ± 1/16	F. BAYEH	7/8/2025	
NEXT ASSY	USED ON	ANGLES: FORMED ± 1° ALL OTHERS ± .25°	Holes: DRILLED OR PUNCHED +1/32 BURNED ±1/32	CHECKER		
APPLICATIONS				ENGINEER/DESIGNER		<p>SIZE <b>B</b> DRAWING NO. 1001-0030-0107 REV 0</p> <p>SCALE: 1:48 WEIGHT: 1888.80 lbs. SHEET 1 OF 4</p>




1000-0010-0596  
PLATFORM

		ELECTRO MECHANICAL INDUSTRIES, INC. 11230 NEESHAW DRIVE HOUSTON, TEXAS 77065 1-800-453-0050	
SIZE	DRAWING NO.	REV	
B	1001-0030-0107	0	
SCALE: 1:24		SHEET 2 OF 4	





1000-0010-0597  
PLATFORM

		ELECTRO MECHANICAL INDUSTRIES, INC. 11230 NEESHAW DRIVE HOUSTON, TEXAS 77065 1-800-453-0050	
SIZE: B	DRAWING NO. 1001-0030-0107	REV: 0	
SCALE: 1:24	SHEET 4 OF 4		