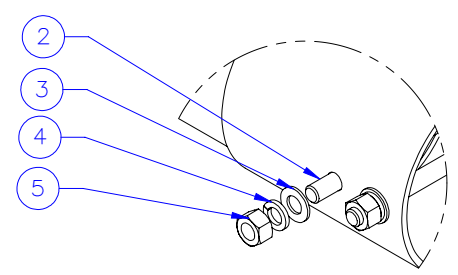
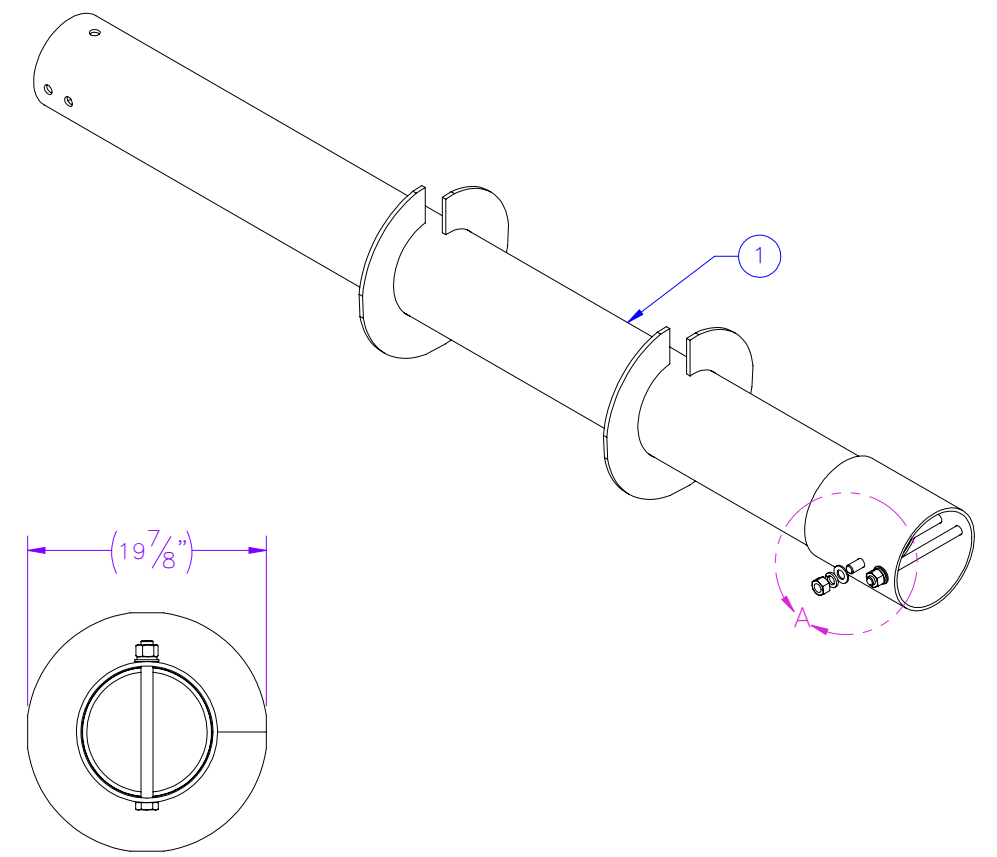
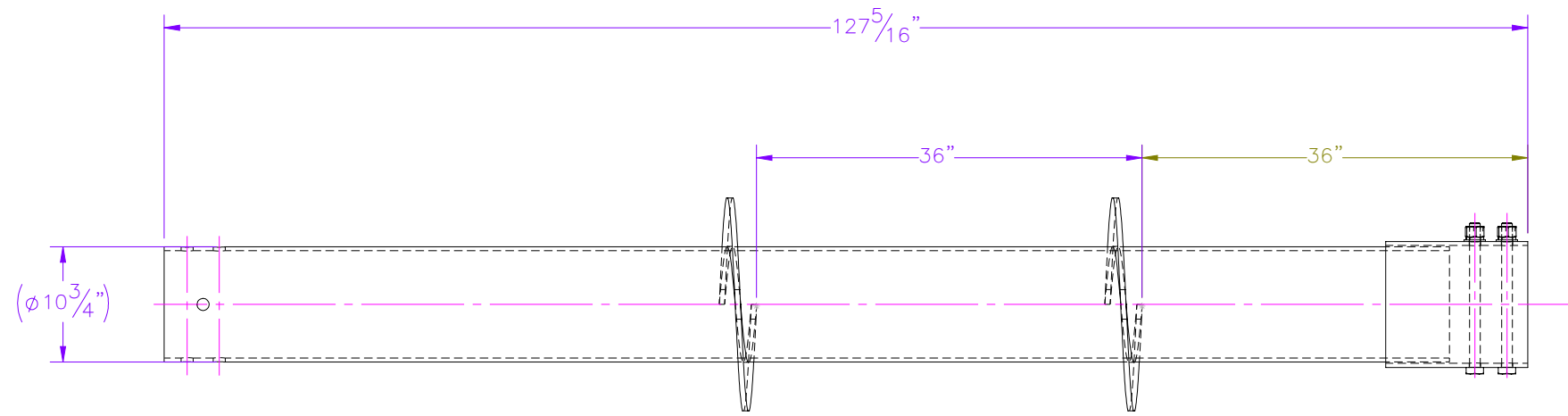

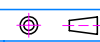


THE INFORMATION CONTAINED IN THIS DRAWING IS THE SOLE PROPERTY OF ELECTRO MECHANICAL INDUSTRIES, INC. ANY REPRODUCTION IN PART OR WHOLE WITHOUT THE WRITTEN PERMISSION OF ELECTRO MECHANICAL IND., IS PROHIBITED.



DETAIL A

ITEM NO.	QTY	PART NUMBER	DESCRIPTION	LENGTH	WEIGHT
1	1	W-003-227	10" X 10' HELICAL EXTENSION, 2 FLIGHTS		517.98
2	2	002-0BG-0339	BOLT, HH, 1.00-8 X 13.50, GALV, A325, PT X 1.75	13 1/2"	3.4058
3	2	002-0FW-G009	WASHER, FLAT, 1.00, GALV, F436		0.10
4	2	002-0LW-G008	WASHER, SPLIT LOCK, 1.00, GALV		0.09
5	2	002-0NG-0008	NUT, HEX, 1.00-8, GALV, GR 2H		0.417

SURFACE FINISH <input checked="" type="checkbox"/> UNLESS OTHERWISE SPECIFIED		UNLESS OTHERWISE SPECIFIED DIMENSIONS ARE IN INCHES		APPROVALS	DATE	 ELECTRO MECHANICAL INDUSTRIES, INC. 11230 NEESESHAW DRIVE HOUSTON, TEXAS 77065 1-800-453-0050
MATERIAL	SEE PARTS LIST	TOLERANCES		DRAWN		
THIRD ANGLE PROJECTION		.0 ±.06 .00 ±.015 .000 ±.005		C. SANCHEZ	7/23/2025	
NEXT ASSY	USED ON	FRACTIONS ± 1/16 ANGLES: FORMED ± 1° ALL OTHERS ± .25°		CHECKER		
APPLICATIONS		HOLES: DRILLED OR PUNCHED ± 1/32 BURNED ± 1/32		F. BAYEH	7/23/2025	
				ENGINEER		
				All A	7/23/2025	

TITLE:	10" X 10' HELICAL EXTENSION, 2 FLIGHTS	
SIZE	DRAWING NO.	REV
B	1007-0010-0019	0
SCALE: 1:16	WEIGHT: 526.02 lbs.	SHEET 1 OF 1