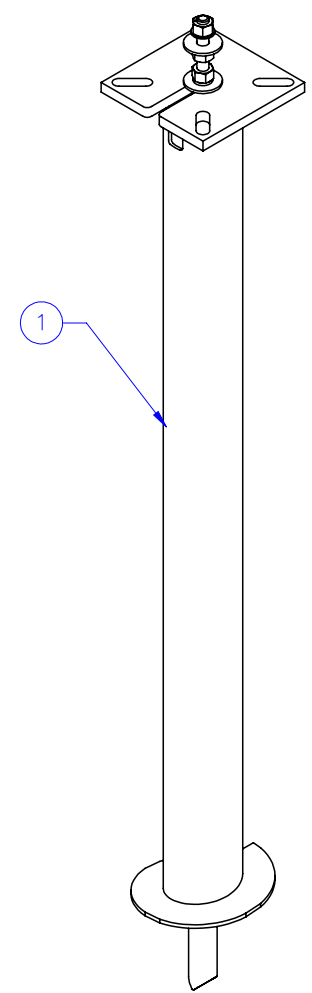
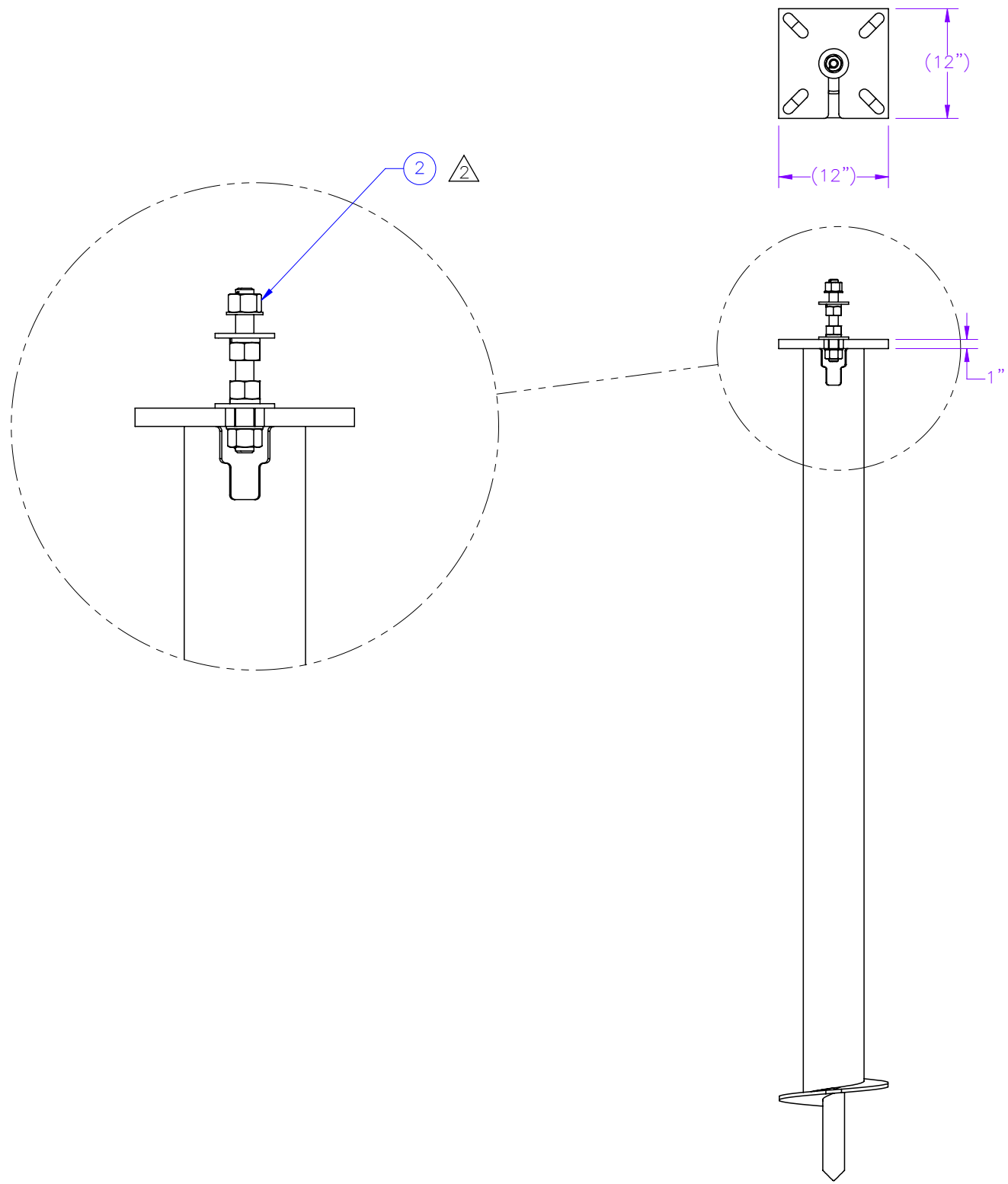

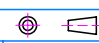


THE INFORMATION CONTAINED IN THIS DRAWING IS THE SOLE PROPERTY OF ELECTRO MECHANICAL INDUSTRIES, INC. ANY REPRODUCTION IN PART OR WHOLE WITHOUT THE WRITTEN PERMISSION OF ELECTRO MECHANICAL IND., IS PROHIBITED.

REVISIONS					
REV.	DCN #	DESCRIPTION	DATE	BY	APPROVED
2	01118	HARDWARE KIT 1000-0020-0076 SUBSTITUTED IN PLACE OF HW.	02/14/22	JTR	JPB



ITEM NO.	QTY REQD	PART NUMBER	DESCRIPTION	LENGTH	WEIGHT
1	1	1008-0050-0015	6" X 7', HELICAL, SINGLE STUD OPTION		177.0
2	1	1000-0020-0076	SINGLE MOUNT LEVELING HARDWARE KIT		5.1

SURFACE FINISH <input checked="" type="checkbox"/> UNLESS OTHERWISE SPECIFIED		UNLESS OTHERWISE SPECIFIED DIMENSIONS ARE IN INCHES		APPROVALS		DATE		 ELECTRO MECHANICAL INDUSTRIES, INC. 11230 NEESESHAW DRIVE HOUSTON, TEXAS 77065 1-800-453-0050	
MATERIAL SEE PARTS LIST		TOLERANCES		DRAWN		3/12/2018			
THIRD ANGLE PROJECTION 		.0 ±.06 .00 ±.015 .000 ±.005		CHECKER		12/4/2019		TITLE: 6"X7', 1" BASE, 1" HARDWARE HELICAL	
NEXT ASSY		FRACTIONS ± 1/16		ENGINEER		12/4/2019			
USED ON		ANGLES ± .25°		PRODUCTION		12/5/2019			
APPLICATIONS		HOLES: DRILLED OR PUNCHED ±1/32		J.K.S.				SIZE B DRAWING NO. 1008-0050-0016 REV 2 SCALE: 1:16 WEIGHT: 1.82 lbs. SHEET 1 OF 1	