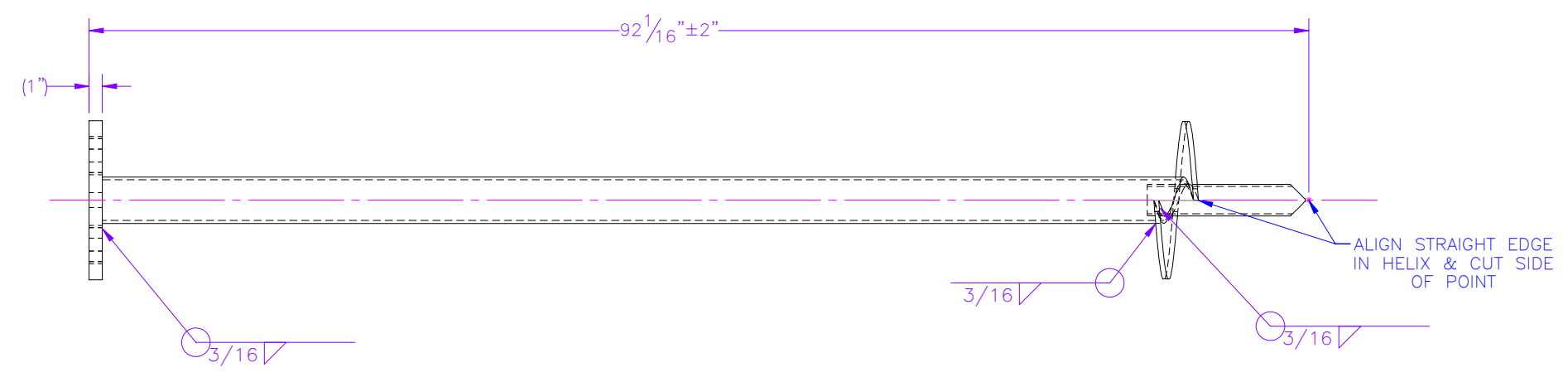
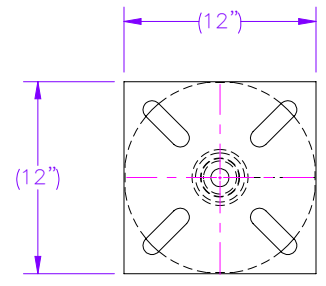
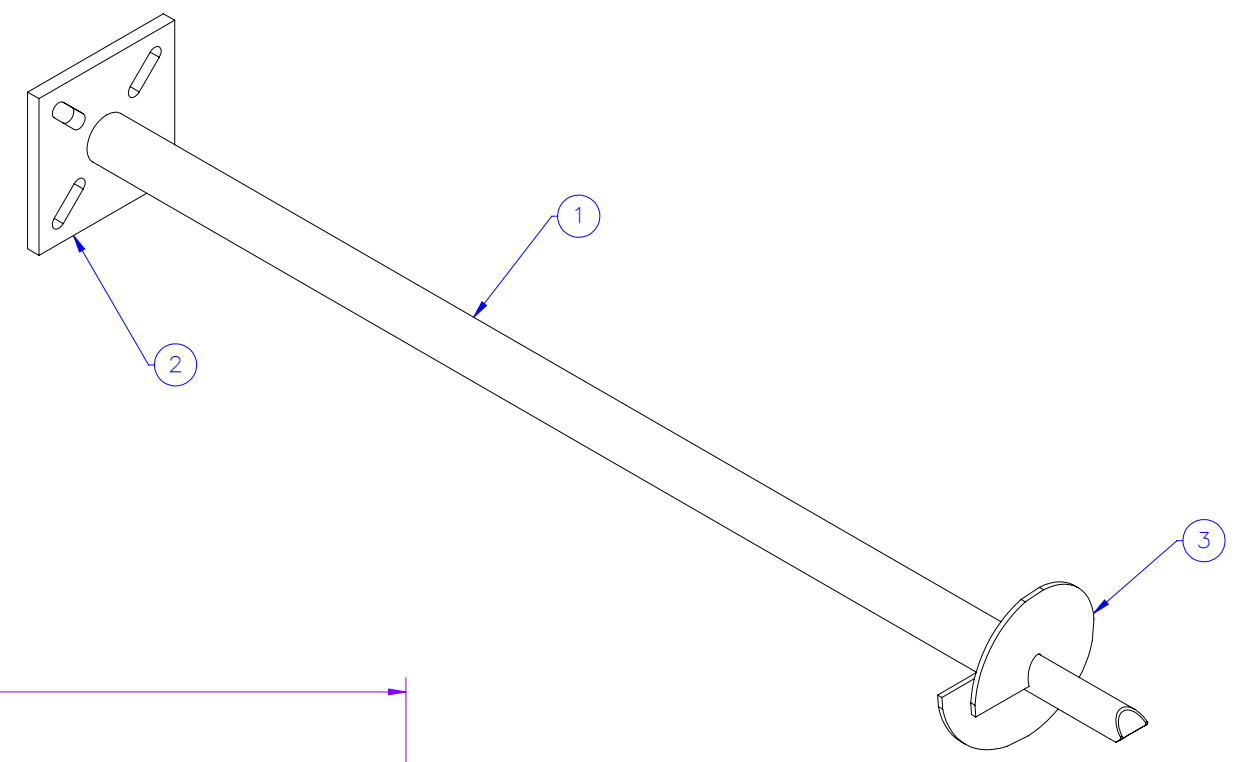




THE INFORMATION CONTAINED IN THIS DRAWING IS THE SOLE PROPERTY OF ELECTRO MECHANICAL INDUSTRIES, INC. ANY REPRODUCTION IN PART OR WHOLE WITHOUT THE WRITTEN PERMISSION OF ELECTRO MECHANICAL IND., IS PROHIBITED.



SURFACE FINISH <input checked="" type="checkbox"/> UNLESS OTHERWISE SPECIFIED		UNLESS OTHERWISE SPECIFIED DIMENSIONS ARE IN INCHES		APPROVALS	DATE	 ELECTRO MECHANICAL INDUSTRIES, INC. 11230 NEESHAW DRIVE HOUSTON, TEXAS 77065 1-800-453-0050
MATERIAL	SEE PARTS LIST	TOLERANCES		DRAWN	8/25/2023	
THIRD ANGLE PROJECTION		.0	± .06	CHECKER	8/29/2023	TITLE: 3" X 7' HELICAL, 1" BASE, NO HDW
		.00	± .015	ENGINEER	8/29/2023	
		.000	± .005	PRODUCTION	8/29/2023	
NEXT ASSY	USED ON	FRACTIONS	± 1/16	J. KERNER		SIZE
		ANGLES	± .25°			DRAWING NO.
		HOLES:				1008-0050-0051
		DRILLED OR PUNCHED	+1/32			REV
		BURNED	±1/32			1
APPLICATIONS						SCALE: 1:12
						WEIGHT: 102.3 lbs.
						SHEET 1 OF 1