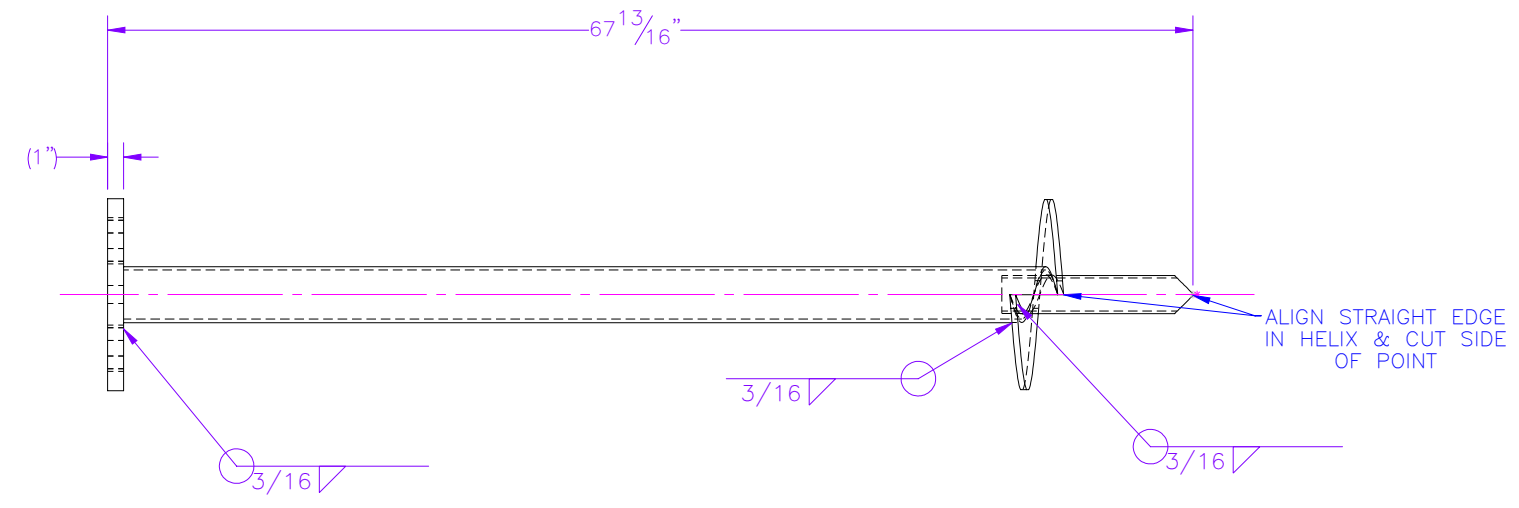
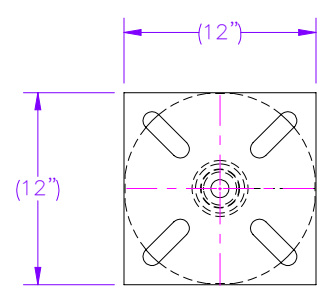
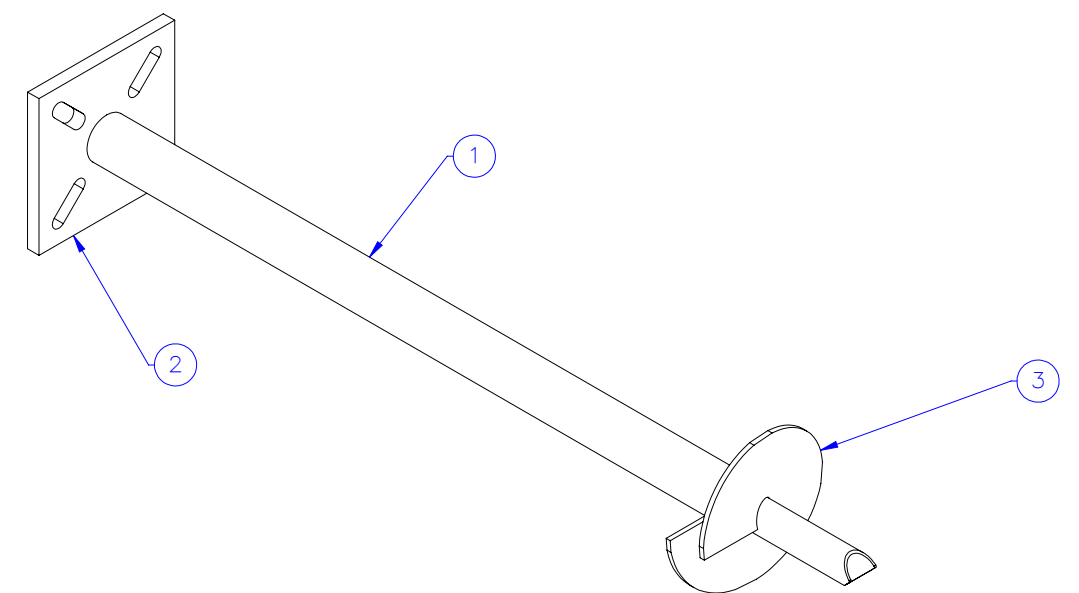




THE INFORMATION CONTAINED IN THIS DRAWING IS THE SOLE PROPERTY OF ELECTRO MECHANICAL INDUSTRIES, INC. ANY REPRODUCTION IN PART OR WHOLE WITHOUT THE WRITTEN PERMISSION OF ELECTRO MECHANICAL IND., IS PROHIBITED.



SURFACE FINISH <input checked="" type="checkbox"/> UNLESS OTHERWISE SPECIFIED		UNLESS OTHERWISE SPECIFIED DIMENSIONS ARE IN INCHES		APPROVALS	DATE	 ELECTRO MECHANICAL INDUSTRIES, INC. 11230 NEESEHAW DRIVE HOUSTON, TEXAS 77065 1-800-453-0050
MATERIAL	SEE PARTS LIST	TOLERANCES		DRAWN	10/31/2023	
THIRD ANGLE PROJECTION		.0	± .06	CHECKER	10/31/2023	TITLE:
		.00	± .015	ENGINEER	10/31/2023	3" X 5' HELICAL, 1" BASE, NO HDW
		.000	± .005	PRODUCTION	10/31/2023	SIZE
NEXT ASSY	USED ON	FRACTIONS	± 1/16	J. KERNER		DRAWING NO.
		ANGLES	± .25°			1008-0050-0052
		HOLES:				REV
APPLICATIONS		DRILLED OR PUNCHED	+1/32			1
		BURNED	±1/32			
						SCALE: 1:12
						WEIGHT: 87.1 lbs.
						SHEET 1 OF 1