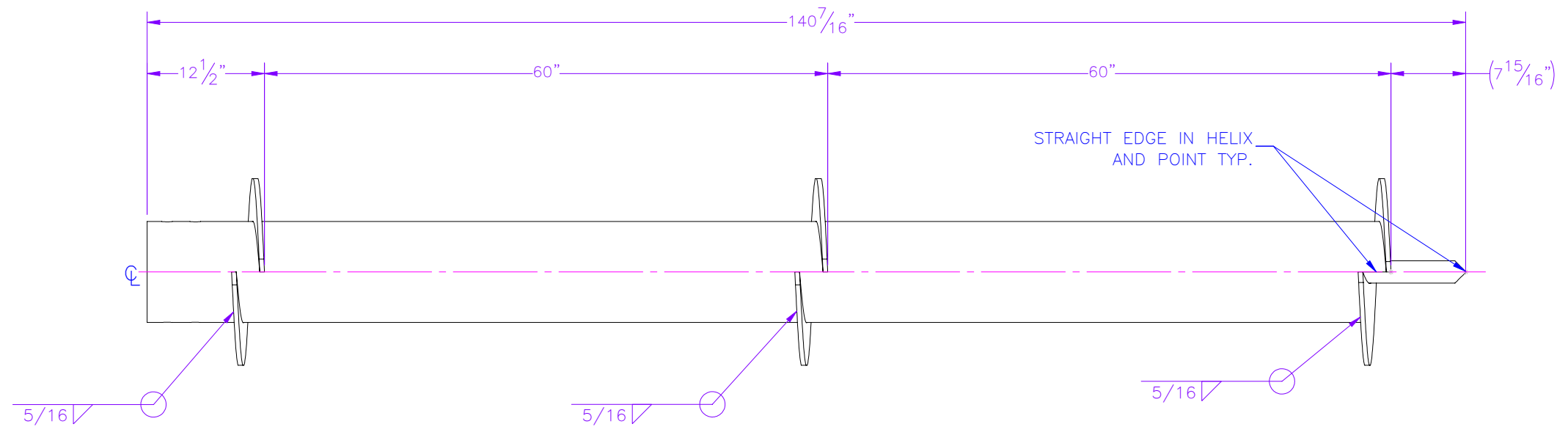
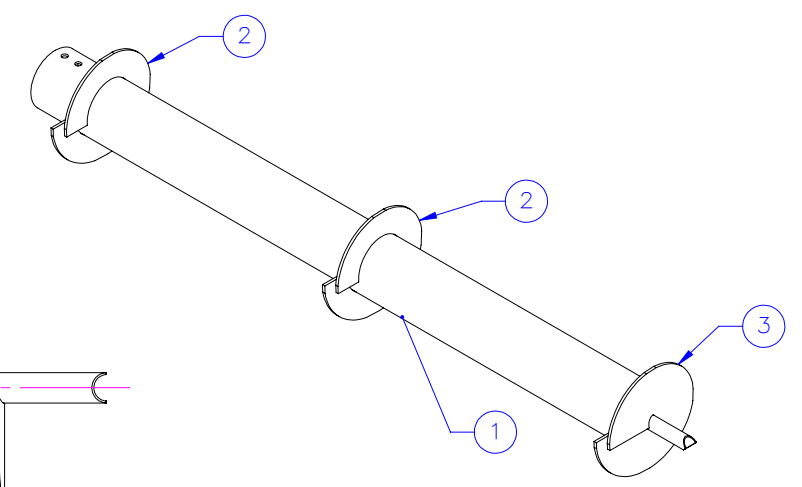
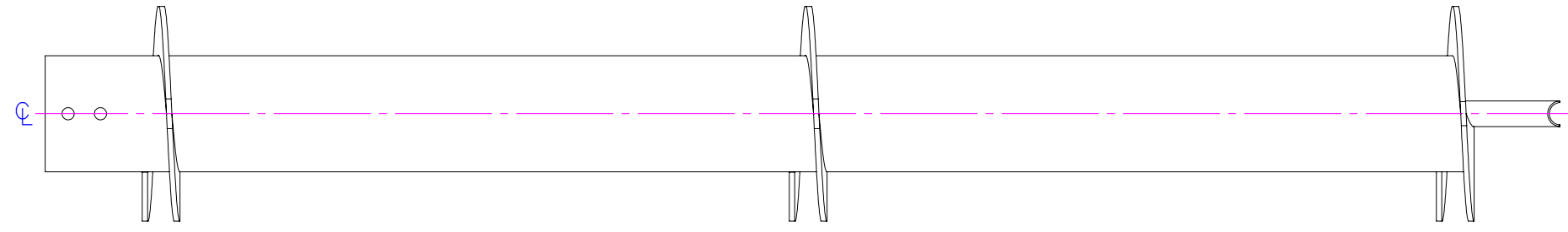
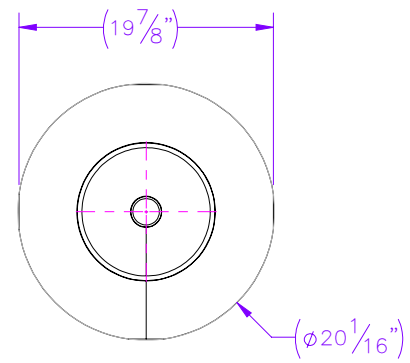




THE INFORMATION CONTAINED IN THIS DRAWING IS THE SOLE PROPERTY OF ELECTRO MECHANICAL INDUSTRIES, INC. ANY REPRODUCTION IN PART OR WHOLE WITHOUT THE WRITTEN PERMISSION OF ELECTRO MECHANICAL IND., IS PROHIBITED.



SURFACE FINISH <input checked="" type="checkbox"/> UNLESS OTHERWISE SPECIFIED		UNLESS OTHERWISE SPECIFIED DIMENSIONS ARE IN INCHES		APPROVALS	DATE	 ELECTRO MECHANICAL INDUSTRIES, INC. 11230 NEESESHAW DRIVE HOUSTON, TEXAS 77065 1-800-453-0050	
MATERIAL	SEE PARTS LIST	TOLERANCES		DRAWN		TITLE: 10" X 11' HELICAL LEAD, TRIPLE 20" FLIGHTS	
THIRD ANGLE PROJECTION		.0	± .06	H. MAUERMANN	1/16/2024	SIZE	DRAWING NO.
		.00	± .015	CHECKER		B	1008-0050-0053
		.000	± .005	J. Breen	1/16/2024	SCALE	1:15
		FRACTIONS	± 1/16	ENGINEER/DESIGNER		WEIGHT	550.94 lbs.
		ANGLES:		J. Breen	1/16/2024	SHEET	1 OF 1
NEXT ASSY	USED ON	ALL OTHERS	± .25"				
APPLICATIONS		HOLES:					
		DRILLED OR PUNCHED	+ 1/32				
		BURNED	± 1/32				