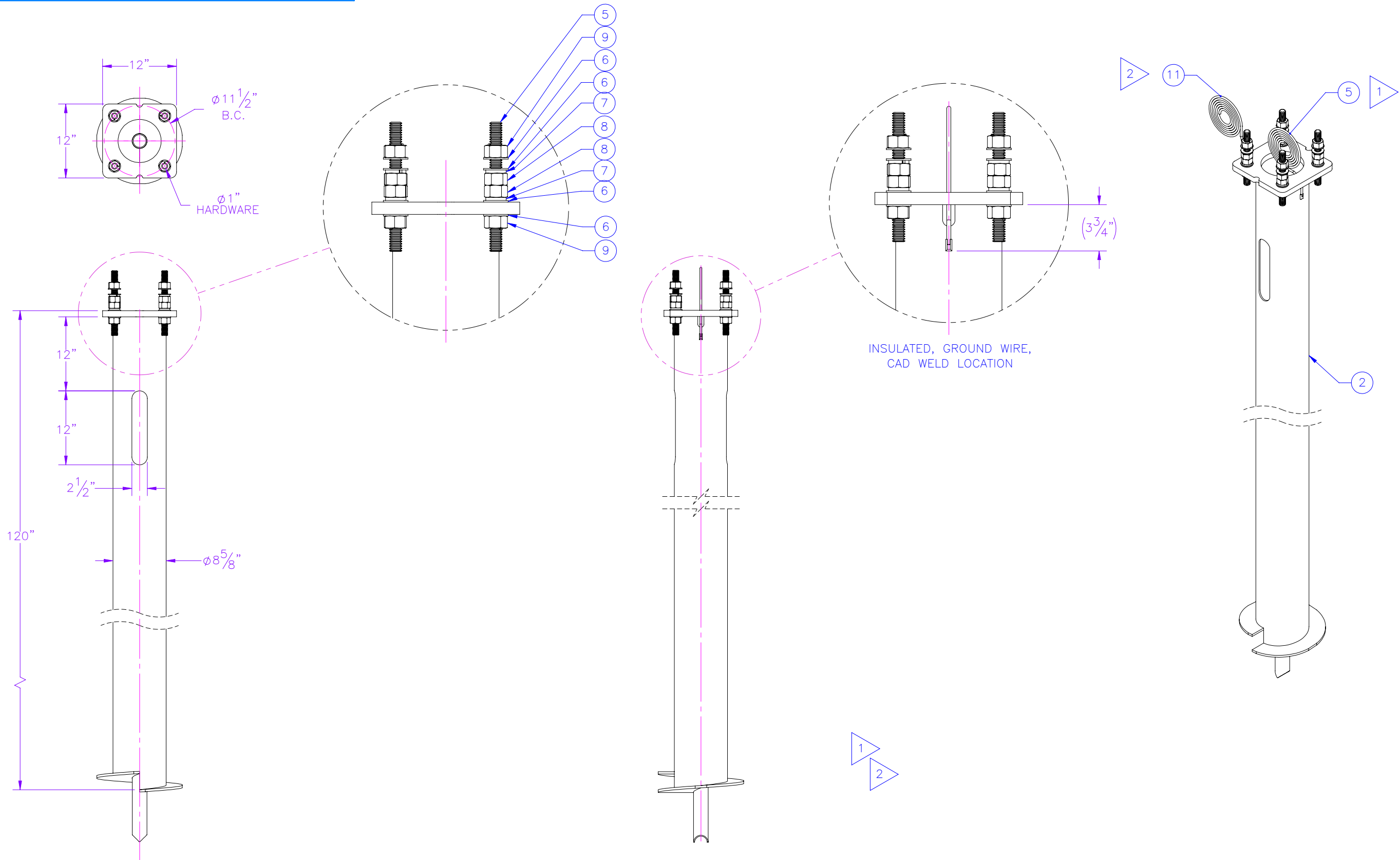



THE INFORMATION CONTAINED IN THIS DRAWING IS THE SOLE PROPERTY OF ELECTRO MECHANICAL INDUSTRIES, INC. ANY REPRODUCTION IN PART OR WHOLE WITHOUT THE WRITTEN PERMISSION OF ELECTRO MECHANICAL IND., IS PROHIBITED.



SURFACE FINISH ✓ UNLESS OTHERWISE SPECIFIED		UNLESS OTHERWISE SPECIFIED DIMENSIONS ARE IN INCHES		APPROVALS	DATE	 ELECTRO MECHANICAL INDUSTRIES, INC. 11230 NEESESHAW DRIVE HOUSTON, TEXAS 77065 1-800-453-0050
MATERIAL SEE PARTS LIST		TOLERANCES		DRAWN		
THIRD ANGLE PROJECTION		.0 ± .06 .00 ± .015 .000 ± .005		C. SANCHEZ	11/19/2024	TITLE: 8" X 10' HELICAL, 1" BP, 1" HDW, W GRND
NEXT ASSY		FRACTIONS ± 1/16		CHECKER		
USED ON		ANGLES: FORMED ± 1° ALL OTHERS ± .25°		C. LEMAN	11/19/2024	SIZE B
APPLICATIONS		HOLES: DRILLED OR PUNCHED +1/32 BURNED ±1/32		ENGINEER/DESIGNER		DRAWING NO. 1008-0050-0064
				C. LEMAN	11/19/2024	REV 2
				SCALE: 1:16		WEIGHT: 277.26 lbs. SHEET 1 OF 1