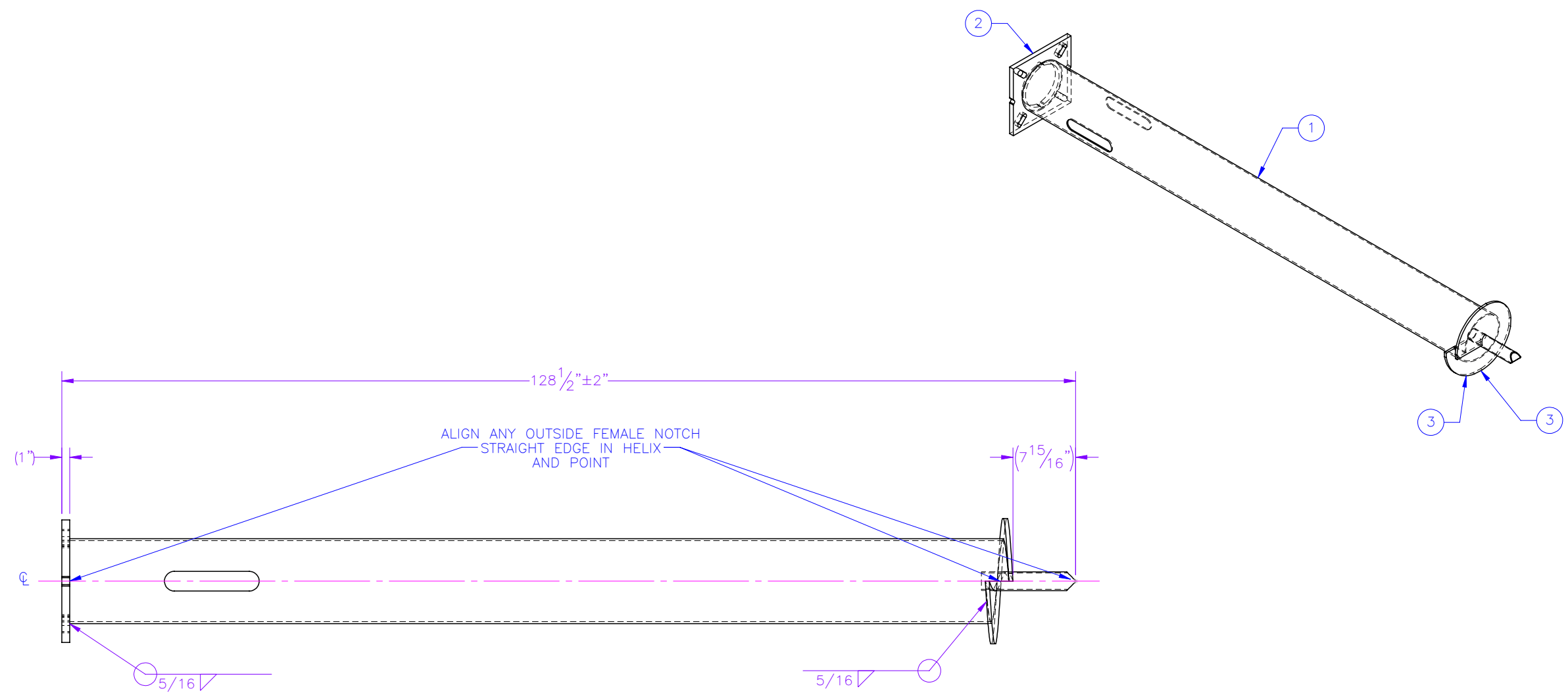
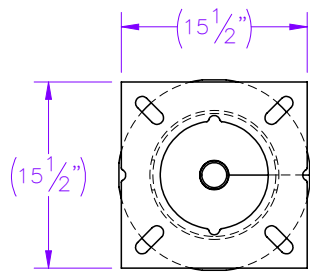

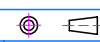


THE INFORMATION CONTAINED IN THIS DRAWING IS THE SOLE PROPERTY OF ELECTRO MECHANICAL INDUSTRIES, INC. ANY REPRODUCTION IN PART OR WHOLE WITHOUT THE WRITTEN PERMISSION OF ELECTRO MECHANICAL IND., IS PROHIBITED.



SURFACE FINISH <input checked="" type="checkbox"/> UNLESS OTHERWISE SPECIFIED		UNLESS OTHERWISE SPECIFIED DIMENSIONS ARE IN INCHES		APPROVALS	DATE	 ELECTRO MECHANICAL INDUSTRIES, INC. 11230 NEESHAW DRIVE HOUSTON, TEXAS 77065 1-800-453-0050	
MATERIAL	SEE PARTS LIST	TOLERANCES		DRAWN		TITLE: 10" X 10', 1" BASE, 1" HDW. - HELICAL PIER	
THIRD ANGLE PROJECTION		.0 ± .06		D. HUGHES	8/4/2015	SIZE	DRAWING NO.
		.00 ± .015		CHECKER		B	400-000-1001
		.000 ± .005		T. PETERS	8/5/2015	SCALE: 1:16	WEIGHT: 3.47 lbs.
		FRACTIONS ± 1/16		ENGINEER/DESIGNER			REV 9
		ANGLES: FORMED ± 1°		D. HUGHES	8/5/2015		SHEET 1 OF 1
		ALL OTHERS ± .25°					
NEXT ASSY	USED ON	HOLES: DRILLED OR PUNCHED +1/32					
		BURNED ±1/32					
APPLICATIONS							